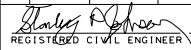
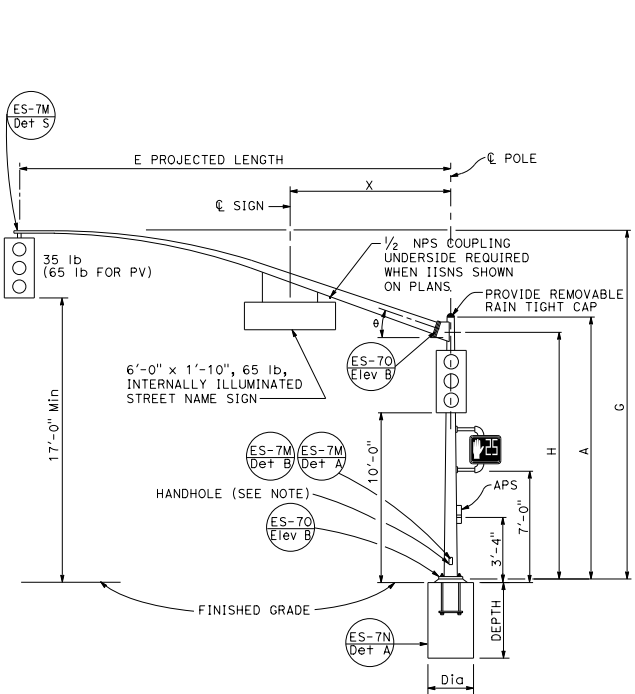


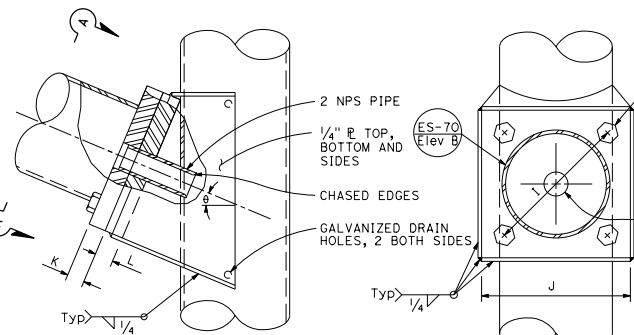
DIST	COUNTY	ROUTE	POST MILES TOTAL PROJECT	SHEET TOTAL SHEETS

  
 REGISTERED CIVIL ENGINEER  
 No. C6793  
 Exp. 3-31-14  
 CIVIL  
 STATE OF CALIFORNIA

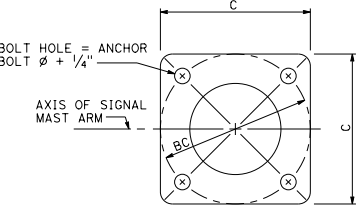
July 19, 2013  
 PLANS APPROVAL DATE  
 THE STATE OF CALIFORNIA OR ITS OFFICERS OR AGENTS SHALL NOT BE RESPONSIBLE FOR THE ACCURACY OR COMPLETENESS OF SCANNED COPIES OF THIS PLAN SHEET.



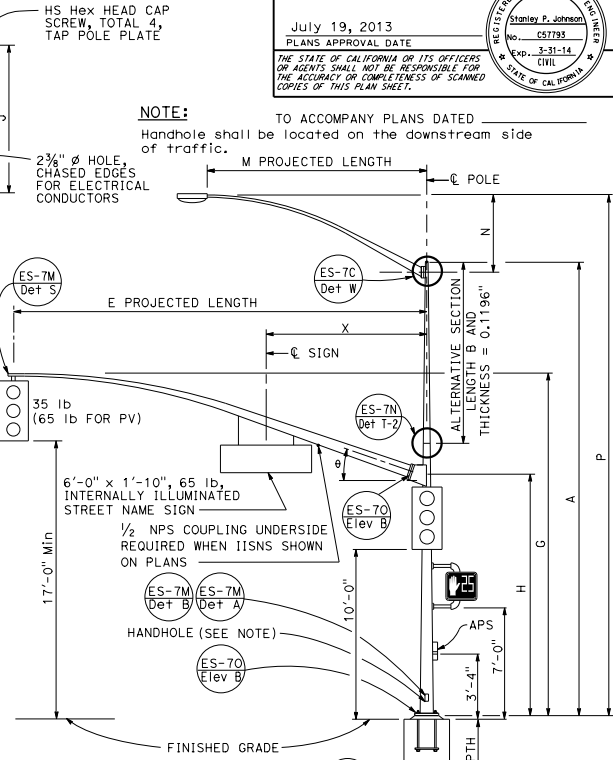
**TYPE 16-2-100, 18-2-100**  
ELEVATION A



**SIGNAL MAST ARM CONNECTION**  
DETAIL A



**BASE PLATE**  
DETAIL B



**TYPE 17-2-100, 17A-2-100, 19-2-100, 19A-2-100**  
ELEVATION B

E PROJECTED LENGTH	G MOUNTING HEIGHT	H	Min OD AT POLE	THICKNESS	I BOLT CIRCLE	HS CAP SCREWS	J PLATE SIZE	K MAST ARM THICKNESS	L POLE THICKNESS	θ	X Max
15'-0"	21'-8"±	17'-6"	7 3/8"	0.1793"	12"	1 1/4"-7NC-3"	1'-0"	1/4"	1 1/2"	23°	10'-6"
20'-0"	21'-8"±	17'-6"	7 3/8"								10'-0"
25'-0"	22'-8"±	16'-0"	7 3/8"								10'-0"
25'-0"	22'-8"±	16'-0"	7 3/8"								10'-0"
30'-0"	23'-0"±	16'-0"	8"								10'-0"

M PROJECTED LENGTH	N RISE	Min OD AT POLE	THICKNESS	P MOUNTING HEIGHT
6'-0"	2'-0"±	3/4"	0.1196"	30'-0" POLE
8'-0"	2'-6"±	3/2"		35'-0" POLE
10'-0"	3'-3"±	3 3/8"		31'-6"±
12'-0"	4'-3"±	3 7/8"		36'-6"±
15'-0"	4'-9"±	4 1/4"		32'-0"±

POLE TYPE	LOAD CASE	WIND VELOCITY (mph)	POLE DATA				BASE PLATE DATA				CIDH PILE FOUNDATION							
			A HEIGHT	Min OD BASE	Min OD TOP	THICKNESS	B LENGTH	BOTTOM	TOP	C	THICKNESS	ANCHOR BOLT SIZE	LUMINAIRE MAST ARM	SIGNAL MAST ARM	DIAMETER	DEPTH	REINFORCED	
16-2-100	2	100	18'-6"	8 1/8"	10 3/4"	0.1793"	NONE	7 7/8"	6 7/8"	1'-5 1/2"	1'-5 1/2"	3"	1 1/2"Ø x 42"	NONE	15'-0", 20'-0"	2'-6"	9'-0"	YES
17-2-100			30'-0"	6 7/8"			10'-0"							6'-15" [12'-0"]				
17A-2-100			35'-0"	5 1/8"			15'-0"							6'-15" [15'-0"]				
18-2-100			17'-0"	8 3/8"			NONE							None				
19-2-100			30'-0"	6 7/8"			10'-0"							6'-15" [12'-0"]				
19A-2-100	35'-0"	5 1/8"	15'-0"	6'-15" [15'-0"]														

□ INDICATES MAST ARM LENGTH TO BE USED UNLESS OTHERWISE NOTED ON PLANS.

STATE OF CALIFORNIA  
 DEPARTMENT OF TRANSPORTATION  
**ELECTRICAL SYSTEMS**  
**(SIGNAL AND LIGHTING STANDARD,**  
**CASE 2 SIGNAL MAST ARM LOADING,**  
**WIND VELOCITY=100 MPH AND SIGNAL**  
**MAST ARM LENGTHS 15' TO 30')**  
 NO SCALE

RSP ES-7D DATED JULY 19, 2013 SUPERSEDES STANDARD PLAN ES-7D DATED MAY 20, 2011 - PAGE 465 OF THE STANDARD PLANS BOOK DATED 2010.

**REVISED STANDARD PLAN RSP ES-7D**

2010 REVISED STANDARD PLAN RSP ES-7D