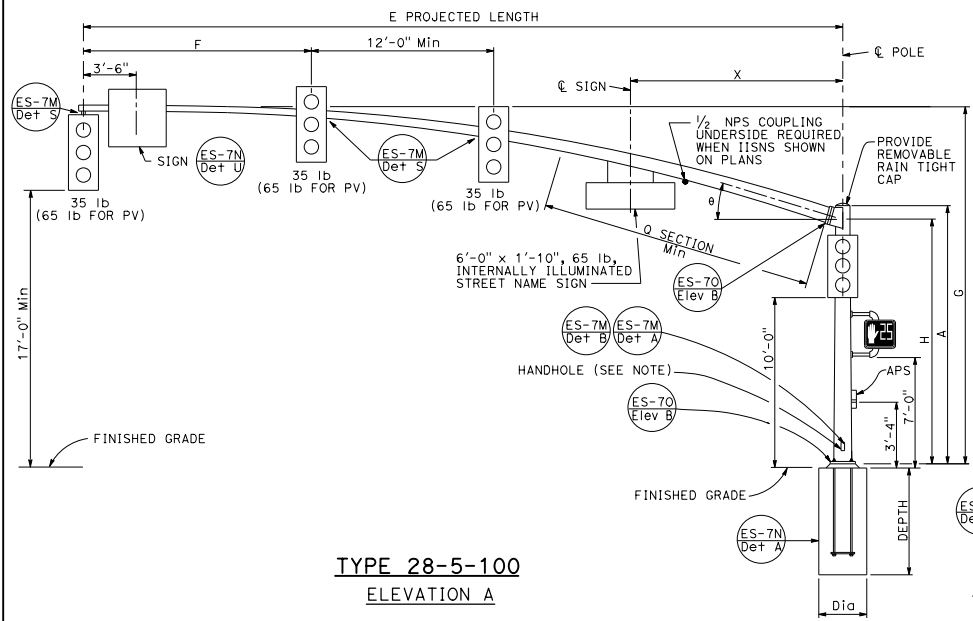


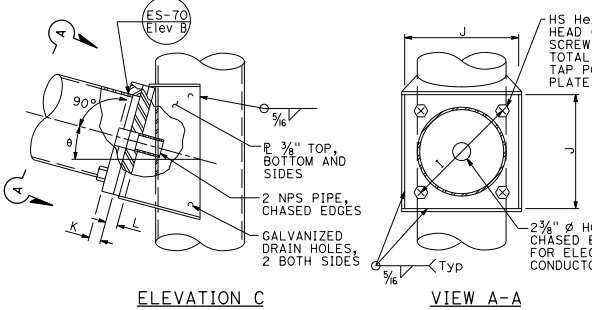
DIST	COUNTY	ROUTE	POST MILES TOTAL PROJECT	SHEET NO.	TOTAL SHEETS

Stanley P. Johnson
 REGISTERED CIVIL ENGINEER
 No. C67393
 Exp. 3-31-14
 CIVIL
 STATE OF CALIFORNIA

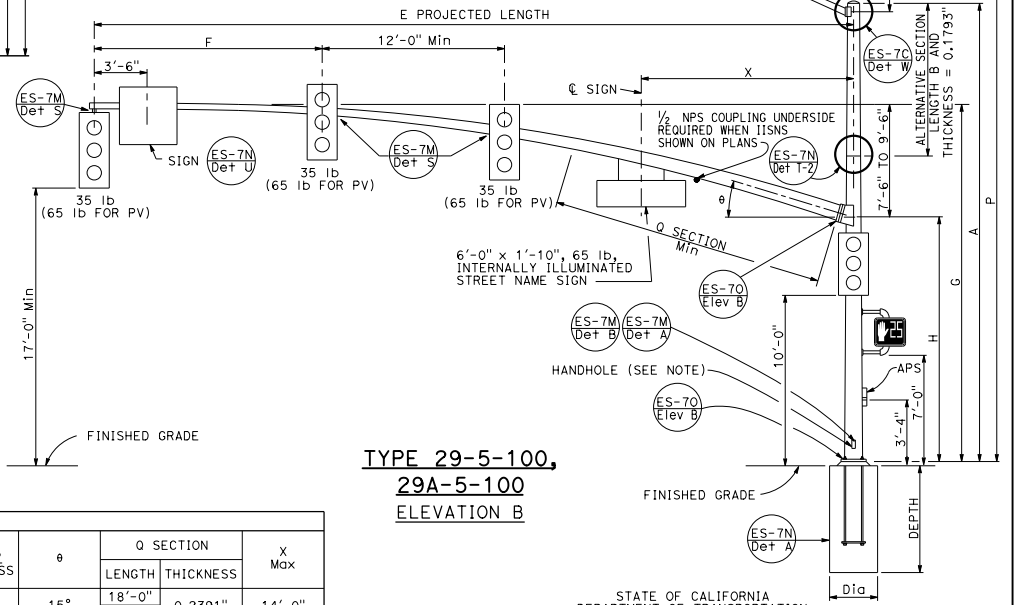
July 19, 2013
 PLANS APPROVAL DATE
 THE STATE OF CALIFORNIA OR ITS OFFICERS OR AGENTS SHALL NOT BE RESPONSIBLE FOR THE ACCURACY OR COMPLETENESS OF SCANNED COPIES OF THIS PLAN SHEET.



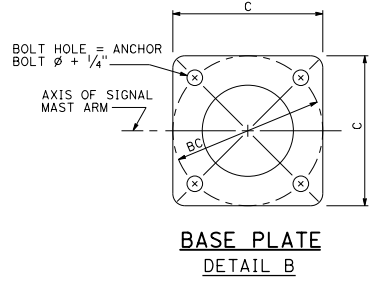
TYPE 28-5-100
ELEVATION A



ELEVATION C
VIEW A-A
SIGNAL MAST ARM CONNECTION
DETAIL A



TYPE 29-5-100,
29A-5-100
ELEVATION B



BASE PLATE
DETAIL B

M PROJECTED LENGTH	N RISE	Min OD AT POLE	THICKNESS	P MOUNTING HEIGHT	
				30'-0" POLE	35'-0" POLE
6'-0"	2'-0"±	3/4"	0.1196"	31'-6"±	36'-6"±
8'-0"	2'-6"±	3/2"		32'-0"±	37'-0"±
10'-0"	3'-3"±	3 7/8"		32'-9"±	37'-9"±
12'-0"	4'-3"±	3 7/8"		33'-9"±	38'-9"±
15'-0"	4'-9"±	4 1/4"		34'-3"±	39'-3"±

E PROJECTED LENGTH	F Min SPACING	G MOUNTING HEIGHT	H	Min OD AT POLE	THICKNESS	I BOLT CIRCLE	HS CAP SCREWS	J PLATE SIZE	K MAST ARM THICKNESS	L POLE THICKNESS	θ	Q SECTION		X Max
												LENGTH	THICKNESS	
50'-0"	15'-0"	23'-7"± TO 25'-7"±	16'-0"	11 1/8"	0.1793"	16"	1 1/2"-6NC-3/4"	1'-4"	1 3/4"	1 3/4"	15°	18'-0"	0.2391"	14'-0"
55'-0"				23'-0"										

POLE TYPE	LOAD CASE	WIND VELOCITY (mph)	POLE DATA				BASE PLATE DATA				LUMINAIRE MAST ARM	SIGNAL MAST ARM	CIDH PILE FOUNDATION			
			A HEIGHT	Min OD	THICKNESS	ALTERNATIVE SECTION B LENGTH	TOP	C	BC BOLT CIRCLE	THICKNESS			ANCHOR BOLT SIZE	Dia	DEPTH	REINFORCED
28-5-100	5	100	17'-0"	11 1/8"	0.3125"	NONE	23"	21"	3"	2 1/2" Ø x 42"	NONE	50'-0", [55'-0"]	3'-6"	12'-0"	YES	
29-5-100			30'-0"	9 1/8"		10'-0"					11 1/8"					9 1/8"
29A-5-100			35'-0"	8 5/8"		15'-0"					8 5/8"					

□ INDICATES MAST ARM LENGTH TO BE USED UNLESS OTHERWISE NOTED ON PLANS.

STATE OF CALIFORNIA
 DEPARTMENT OF TRANSPORTATION
ELECTRICAL SYSTEMS
(SIGNAL AND LIGHTING STANDARD,
CASE 5 SIGNAL MAST ARM LOADING,
WIND VELOCITY=100 MPH AND SIGNAL
MAST ARM LENGTHS 50' TO 55')
 NO SCALE

RSP ES-7G DATED JULY 19, 2013 SUPERSEDES STANDARD PLAN ES-7G
 DATED MAY 20, 2011 - PAGE 468 OF THE STANDARD PLANS BOOK DATED 2010.

REVISED STANDARD PLAN RSP ES-7G

2010 REVISED STANDARD PLAN RSP ES-7G