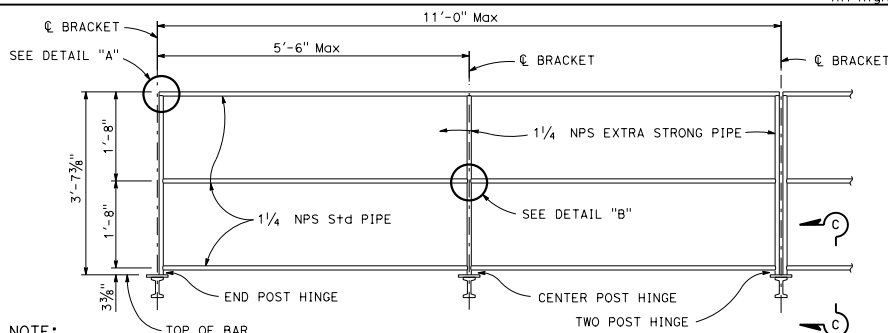


DIST	COUNTY	ROUTE	POST MILES TOTAL PROJECT	SHEET No.	TOTAL SHEETS

**Stanley P. Johnson**  
 REGISTERED CIVIL ENGINEER  
 No. 05735  
 Exp. 3-31-14  
 CIVIL  
 STATE OF CALIFORNIA

July 19, 2013  
 PLANS APPROVAL DATE  
 THE STATE OF CALIFORNIA OR ITS OFFICERS OR AGENTS SHALL NOT BE RESPONSIBLE FOR THE ACCURACY OR COMPLETENESS OF SCANNED COPIES OF THIS PLAN SHEET.

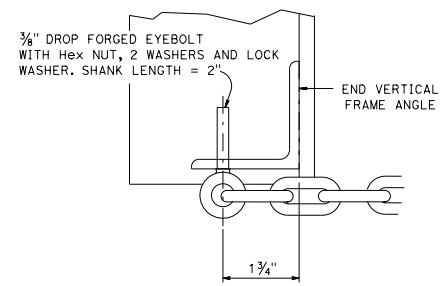
TO ACCOMPANY PLANS DATED \_\_\_\_\_



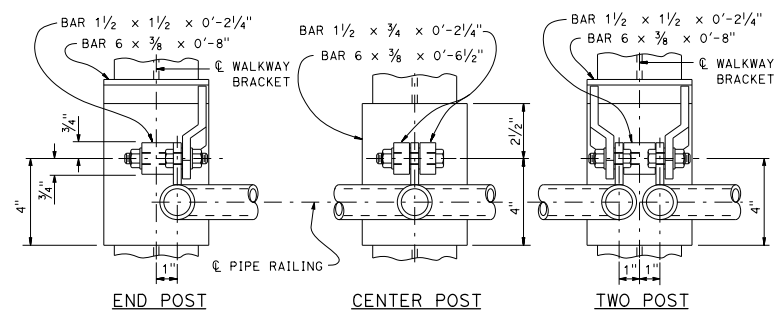
**SAFETY RAILING ELEVATION**

**NOTE:**  
Chain assembly behind (see detail this page)

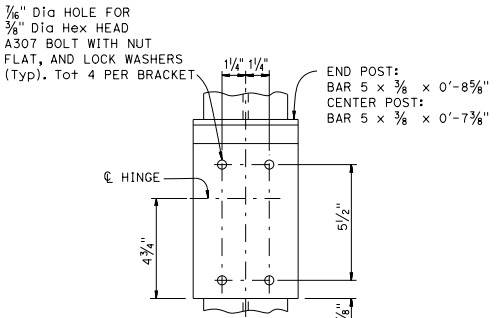
**NOTE:**  
See Standard Plans S101 and S105 and S109 for walkway bracket spacing.



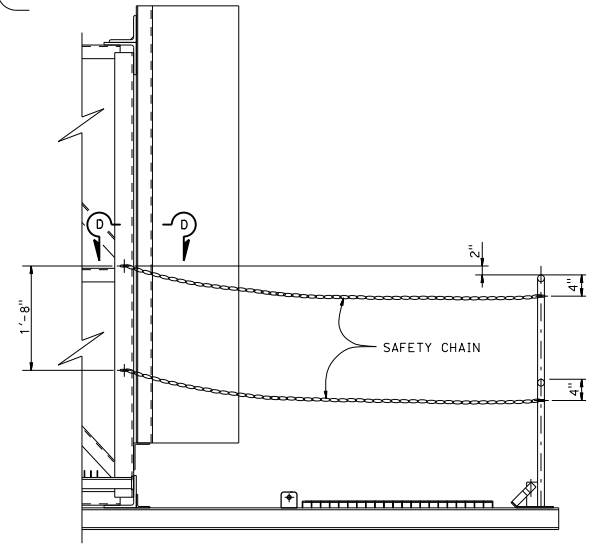
**SECTION D-D**



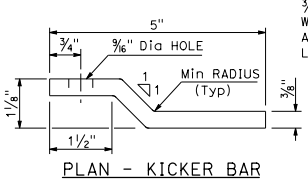
**WELDED HINGE - PLAN**



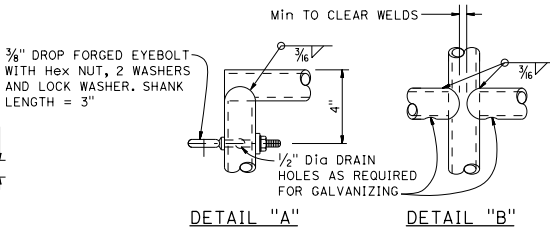
**HINGED CONNECTION**



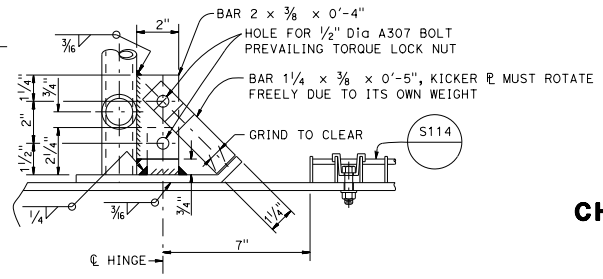
**CHAIN ASSEMBLY**



**PLAN - KICKER BAR**



**NOTE:**  
Alternative venting methods may be used if approved by the Engineer.



**SECTION C-C ELEVATION VIEW**

STATE OF CALIFORNIA  
 DEPARTMENT OF TRANSPORTATION  
**OVERHEAD SIGN-TRUSS  
 SINGLE POST TYPE  
 WALKWAY SAFETY  
 RAILING DETAILS  
 CHANGEABLE MESSAGE SIGNS  
 MODEL 500 AND 510**

NO SCALE

RSP S140 DATED JULY 19, 2013 SUPERSEDES STANDARD PLAN S140 DATED MAY 20, 2011 - PAGE 422 OF THE STANDARD PLANS BOOK DATED 2010.

**REVISED STANDARD PLAN RSP S140**

2010 REVISED STANDARD PLAN RSP S140