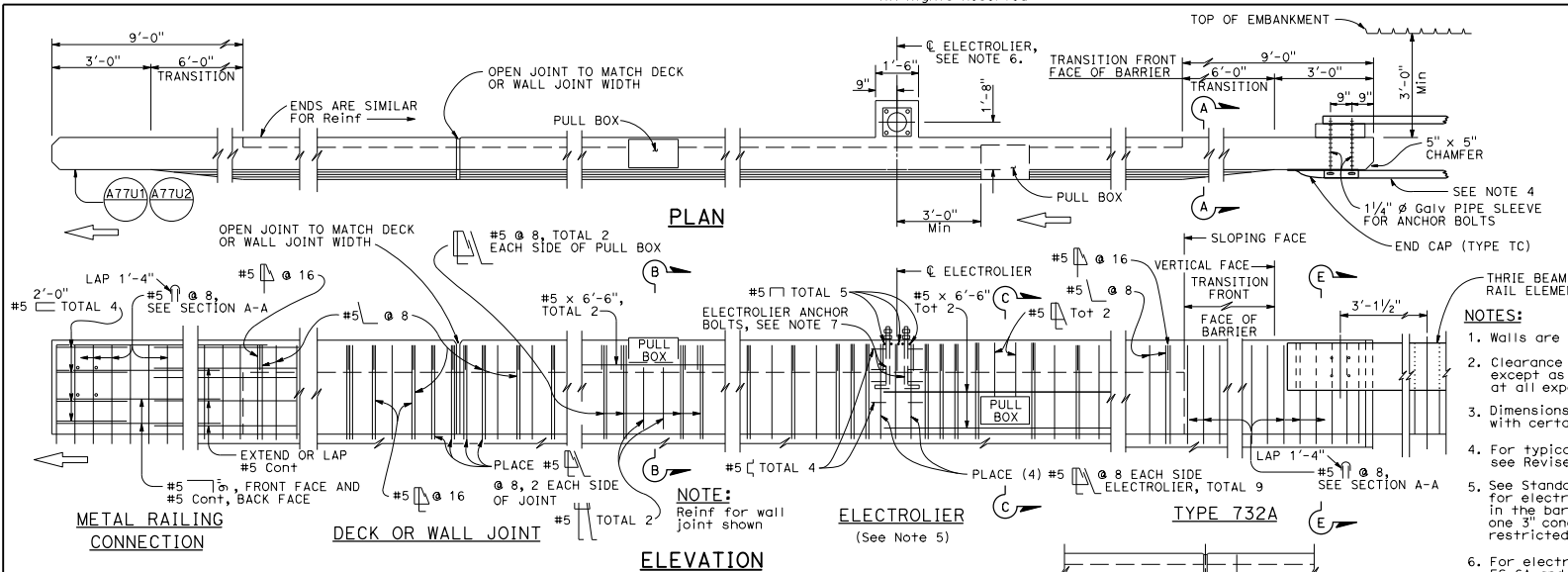


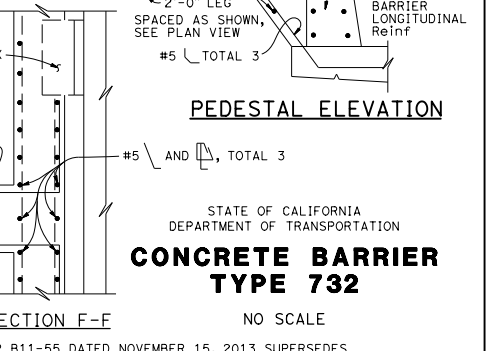
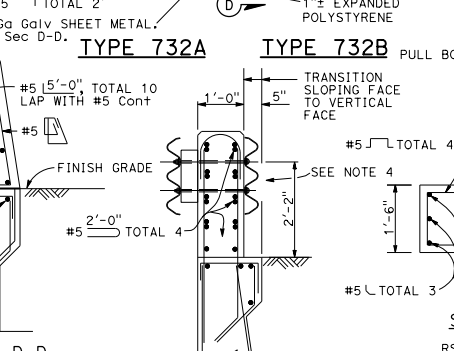
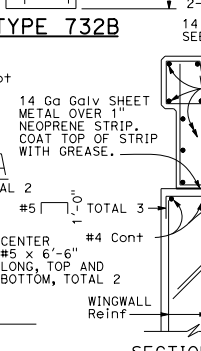
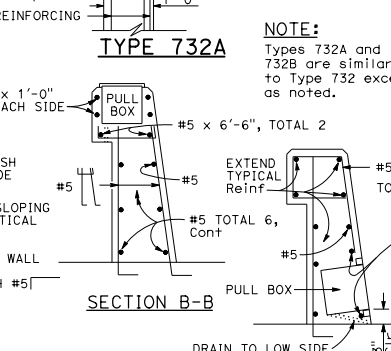
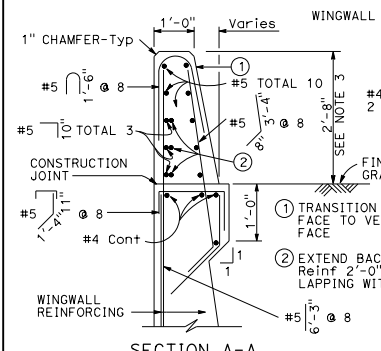
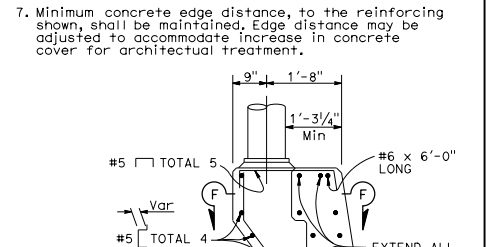
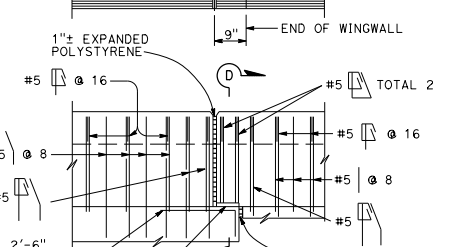
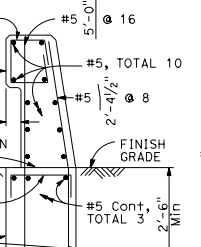
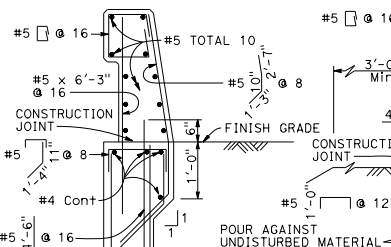
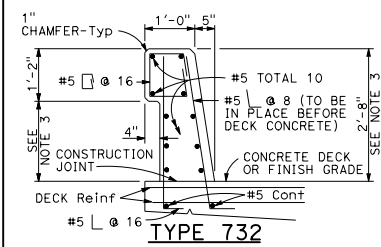
DIST	COUNTY	ROUTE	POST MILES TOTAL PROJECT	SHEET NO.	TOTAL SHEETS

REGISTERED CIVIL ENGINEER	
November 15, 2013	
PLANS APPROVAL DATE	
THE STATE OF CALIFORNIA OR ITS OFFICERS OR AGENTS SHALL NOT BE RESPONSIBLE FOR THE ACCURACY OR COMPLETENESS OF SCANNED COPIES OF THIS PLAN SHEET.	



- NOTES:**
- Walls are to be backfilled before barrier is placed.
  - Clearance to reinforcing steel in barrier to be 1", except as noted. Longitudinal reinforcement to stop at all expansion joints.
  - Dimensions may vary with roadway cross slope and with certain thickness of surfacing. See Project Plans.
  - For typical metal railing connection details not shown, see Revised Standard Plans RSP A77U1 and RSP A77U2.
  - See Standard Plans ES-9A, ES-9B, ES-9C, ES-9D and ES-9E for electrical details. The maximum number of conduits in the barrier is limited to two 2" conduits along with one 3" conduit. When a 3" conduit is used, it is restricted to the base of the barrier.
  - For electrolier mounting details, See Standard Plans ES-6A and ES-6B.
  - Minimum concrete edge distance, to the reinforcing shown, shall be maintained. Edge distance may be adjusted to accommodate increase in concrete cover for architectural treatment.



Details shown for barrier anchorage to Type 732A. Anchorage for barrier Types 732 and 732A are similar to their respective details.

STATE OF CALIFORNIA  
DEPARTMENT OF TRANSPORTATION  
**CONCRETE BARRIER  
TYPE 732**

RSP B11-55 DATED NOVEMBER 15, 2013 SUPERSEDES  
RSP B11-55 DATED JULY 19, 2013 AND STANDARD PLAN B11-55  
DATED MAY 20, 2011 - PAGE 297 OF THE STANDARD PLANS BOOK DATED 2010.  
**REVISED STANDARD PLAN RSP B11-55**

2010 REVISED STANDARD PLAN RSP B11-55