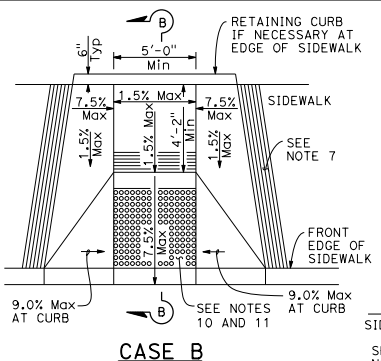
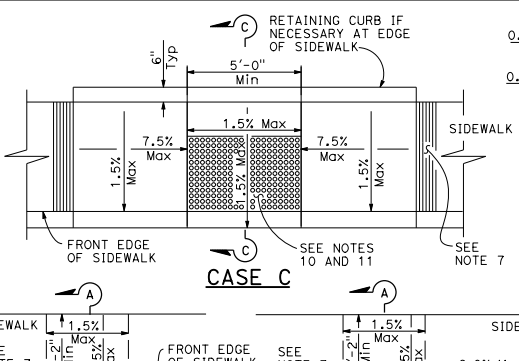


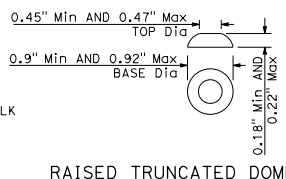
CASE A



CASE B



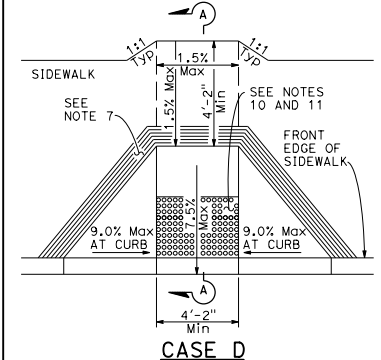
CASE C



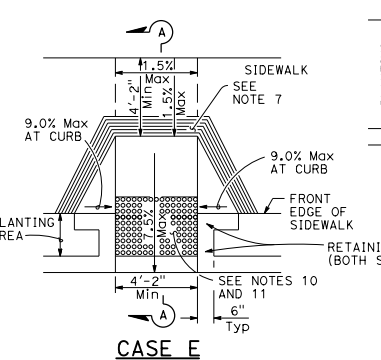
RAISED TRUNCATED DOME

NOTES:

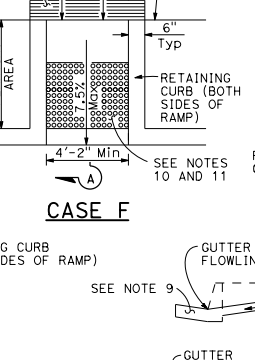
- As site conditions dictate, Case A through Case G curb ramps may be used for corner installations similar to those shown in Detail A and Detail B. The case of curb ramps used in Detail A do not have to be the same. Case A through Case G curb ramps also may be used at mid block locations, as site conditions dictate.
- If distance from curb to back of sidewalk is too short to accommodate ramp and 4'-2" platform (landing) as shown in Case A, the sidewalk may be depressed longitudinally as in Case B, or C or may be widened as in Case D.
- When ramp is located in center of curb return, crosswalk configuration must be similar to that shown for Detail B.
- As site conditions dictate, the retaining curb side and the flared side of the Case G ramp shall be constructed in reversed position.
- If located on a curve, the sides of the ramp need not be parallel, but the minimum width of the ramp shall be 4'-2".
- Side slope of ramp flares vary uniformly from a maximum of 9.0% at curb to conform with longitudinal sidewalk slope adjacent to top of the ramp, except in Case C and Case F.
- The curb ramp shall be outlined, as shown, with a 1'-0" wide border with 1/4" grooves approximately 3/4" on center. See grooving detail.
- Transitions from ramps and landing to walks, gutters or streets shall be flush (no lip) and free of abrupt changes.
- Counter slopes of adjoining gutters and road surfaces immediately adjacent to and within 24 inches of the curb ramp shall not be steeper than 1:20 (5.0%). Gutter pan slope shall not exceed 1" of depth for each 2'-0" of width.
- Curb ramps shall have a detectable warning surface that extends the full width and 3'-0" depth of the ramp. A 4'-0" wide detectable warning surface may be used on a 4'-2" wide curb ramp. Detectable Warning Surfaces shall conform to the requirements in the Standard Specifications.
- The edge of the detectable warning surface nearest the street shall be between 6" and 8" from the gutter flowline.
- Sidewalk and ramp thickness, "T", shall be 3/2" minimum.
- Utility pull boxes, manholes, vaults and all other utility facilities within the boundaries of the curb ramp will be relocated or adjusted to grade by the owner prior to, or in conjunction with, curb ramp construction.
- Detectable warning surface may have to be cut to allow removal of utility covers while maintaining full detectable warning width and depth.



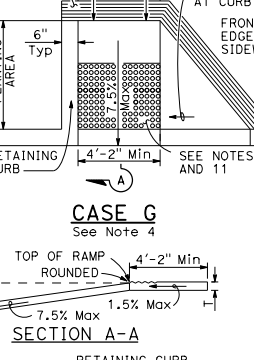
CASE D



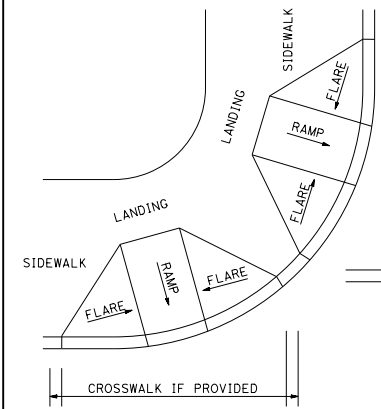
CASE E



CASE F



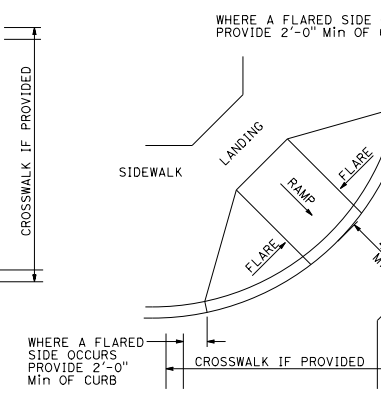
CASE G



DETAIL A

TYPICAL TWO-RAMP CORNER INSTALLATION

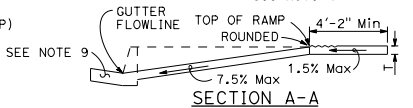
See Note 1



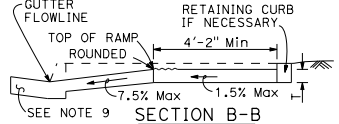
DETAIL B

TYPICAL ONE-RAMP CORNER INSTALLATION

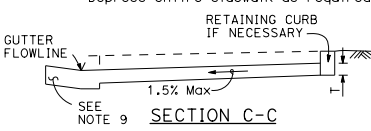
See Notes 1 and 3



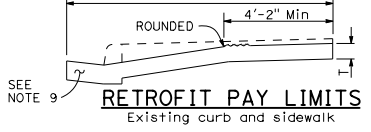
SECTION A-A



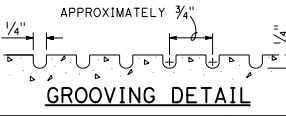
SECTION B-B



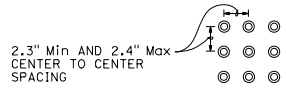
SECTION C-C



RETROFIT PAY LIMITS



GROOVING DETAIL



RAISED TRUNCATED DOME PATTERN (IN-LINE) DETECTABLE WARNING SURFACE

See Note 10

CURB RAMP DETAILS
NO SCALE

RSP A88A DATED MARCH 21, 2014 SUPERSEDES RSP A88A DATED JULY 19, 2013 AND STANDARD PLAN A88A DATED MAY 20, 2011 - PAGE 121 OF THE STANDARD PLANS BOOK DATED 2010.

2010 REVISED STANDARD PLAN RSP A88A

DIST	COUNTY	ROUTE	POST MILES TOTAL PROJECT	SHEET NO.	TOTAL SHEETS

Hector David Cordova
REGISTERED CIVIL ENGINEER
No. C41957
Exp. 3-31-14
CIVIL

March 21, 2014
PLANS APPROVAL DATE

TO ACCOMPANY PLANS DATED _____