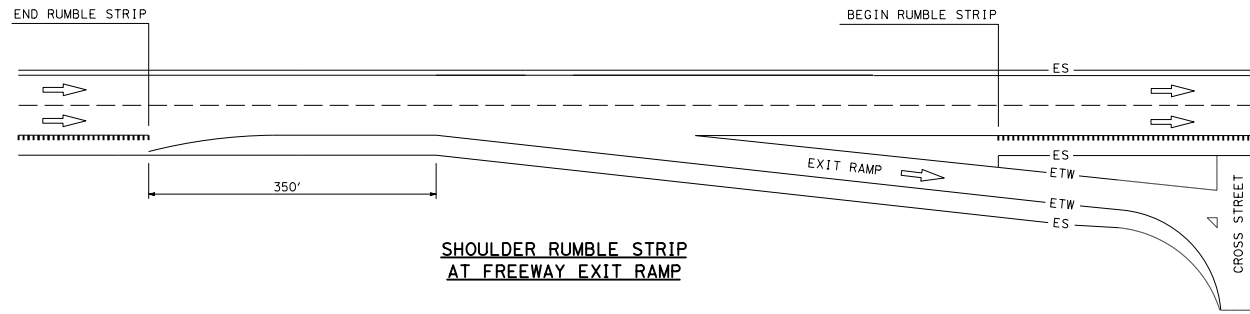


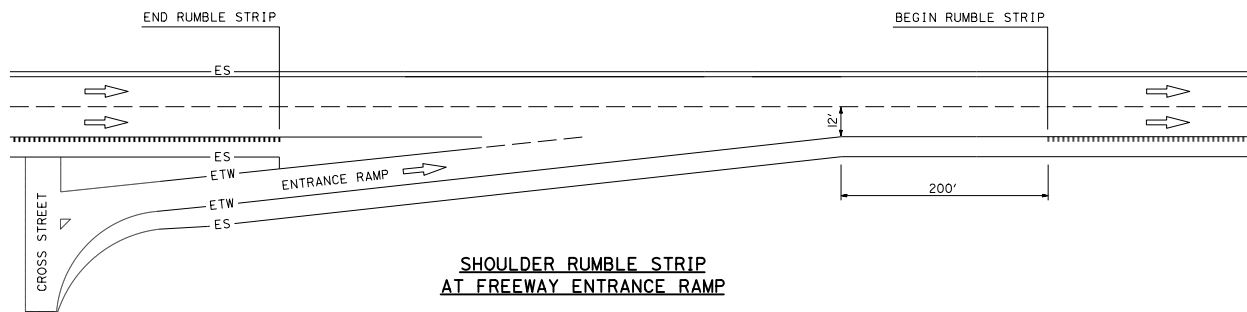
Dist	County	Route	Post Miles Total Project	Sheet No.	Total Sheets
<i>Atifa Ferouzi</i> REGISTERED CIVIL ENGINEER					
July 15, 2016 PLANS APPROVAL DATE					
THE STATE OF CALIFORNIA OR ITS OFFICERS OR AGENTS SHALL NOT BE RESPONSIBLE FOR THE ACCURACY OR COMPLETENESS OF SCANNED COPIES OF THIS PLAN SHEET.					



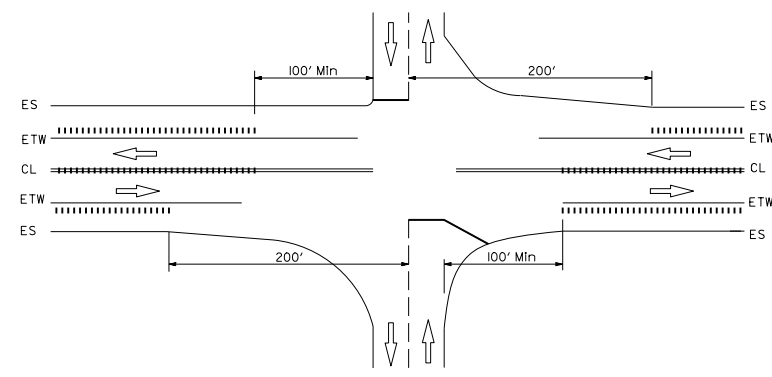
TO ACCOMPANY PLANS DATED _____



**SHOULDER RUMBLE STRIP
AT FREEWAY EXIT RAMP**



**SHOULDER RUMBLE STRIP
AT FREEWAY ENTRANCE RAMP**



**CENTERLINE AND SHOULDER RUMBLE STRIP
AT GRADE INTERSECTION**

LEGEND
 RUMBLE STRIP (GROUND-IN)

STATE OF CALIFORNIA
DEPARTMENT OF TRANSPORTATION

**RUMBLE STRIP PLACEMENT AT
FREEWAY EXIT RAMP,
FREEWAY ENTRANCE RAMP,
AND
INTERSECTIONS**

NO SCALE

RSP A40E DATED JULY 15, 2016 SUPPLEMENTS THE STANDARD PLANS BOOK DATED 2015.

REVISED STANDARD PLAN RSP A40E

2015 REVISED STANDARD PLAN RSP A40E