

Dist	COUNTY	ROUTE	POST MILES TOTAL PROJECT	SHEET No.	TOTAL SHEETS

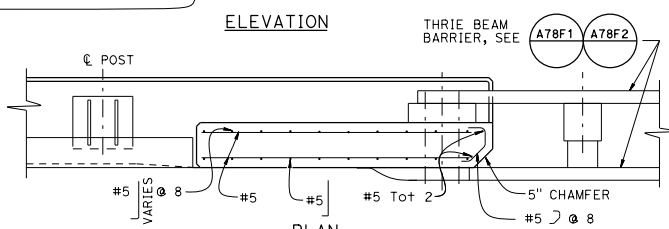
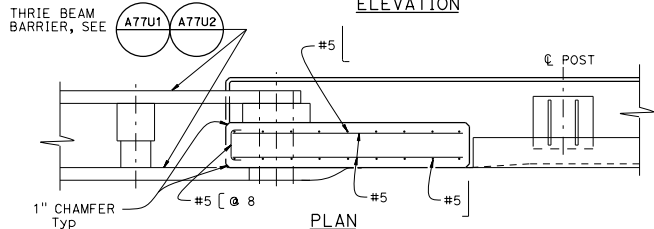
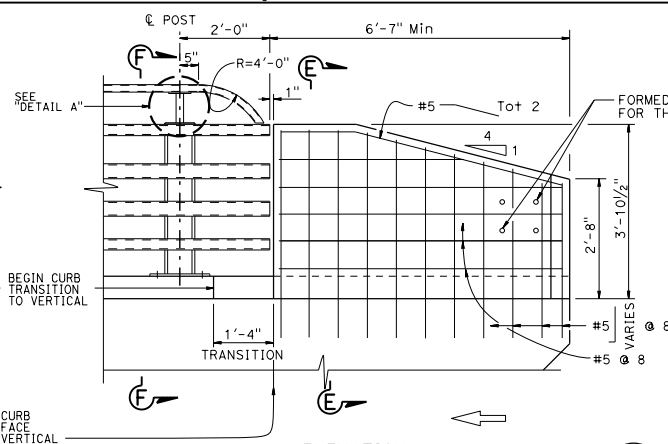
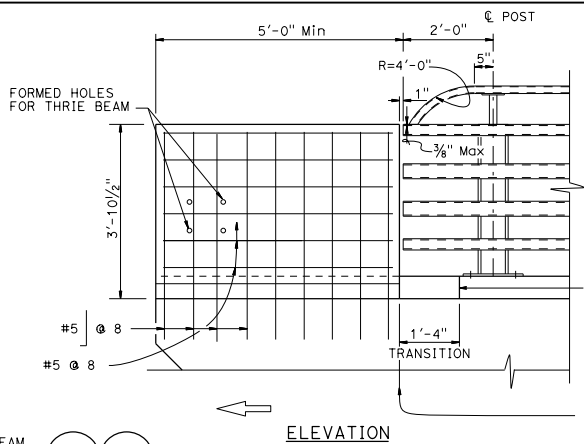
Gregory J. Koderick
 REGISTERED CIVIL ENGINEER
 No. C40814
 Exp. 3-31-17
 STATE OF CALIFORNIA

July 15, 2016
 PLANS APPROVAL DATE
 THE STATE OF CALIFORNIA OR ITS OFFICERS OR AGENTS SHALL NOT BE RESPONSIBLE FOR THE ACCURACY OR COMPLETENESS OF SCANNED COPIES OF THIS PLAN SHEET.

TO ACCOMPANY PLANS DATED _____

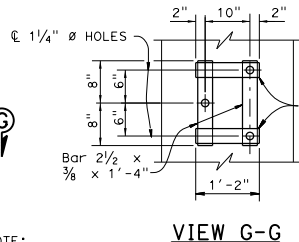
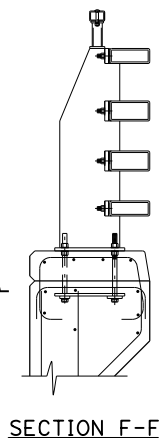
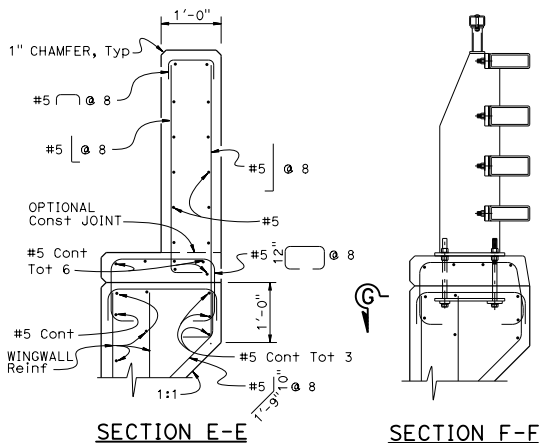
NOTES:

1. Anchor bolts may be tack welded (shop or field) to anchorage.
2. Each rail length must be continuous over a minimum of two posts.
3. The Contractor must check that the tubular sleeve splices conform to the dimensions indicated to assure proper clearance.
4. Except for expansion splices, not more than one splice permitted per same side of post.

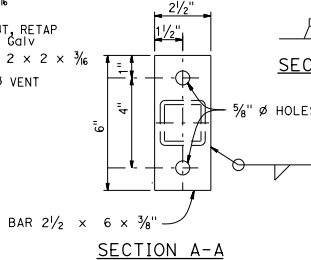
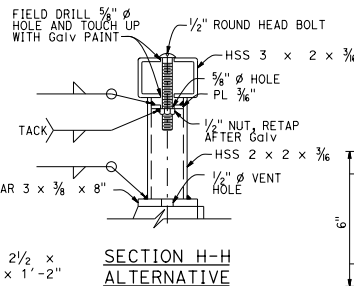


END BLOCK DETAIL

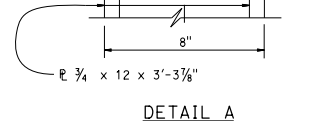
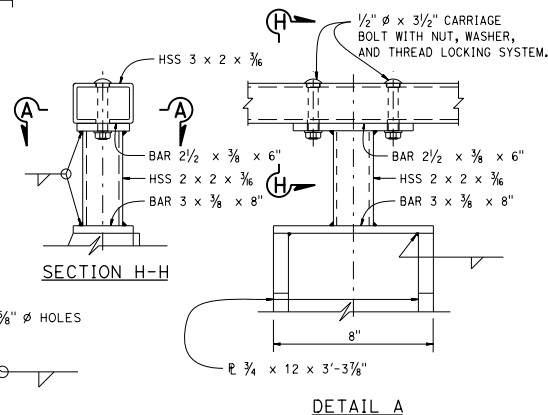
TRANSITION BLOCK DETAIL



NOTE:
For details not shown, see "SECTION E-E"



RAIL CONNECTION DETAILS



STATE OF CALIFORNIA
DEPARTMENT OF TRANSPORTATION
CALIFORNIA ST-20S BRIDGE RAIL
(SHEET 3 OF 4)

NO SCALE

RSP B11-73 DATED JULY 15, 2016 SUPPLEMENTS THE STANDARD PLANS BOOK DATED 2015.

REVISED STANDARD PLAN RSP B11-73

2015 REVISED STANDARD PLAN RSP B11-73