
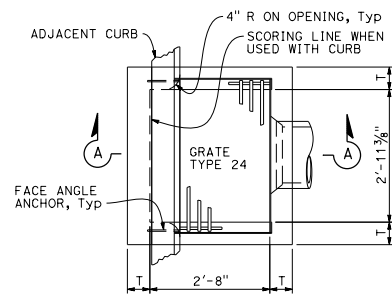


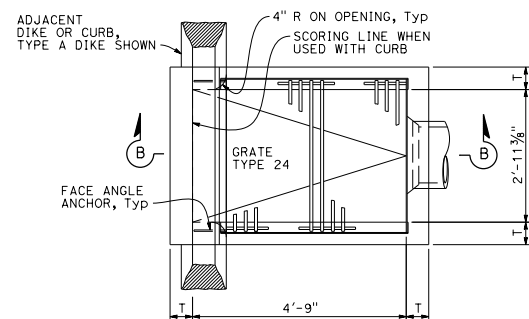
Dist#	COUNTY	ROUTE	POST MILES TOTAL PROJECT	SHEET No.	TOTAL SHEETS
-------	--------	-------	-----------------------------	--------------	-----------------



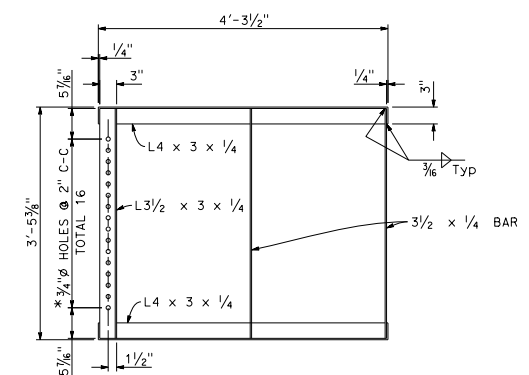
 REGISTERED CIVIL ENGINEER
 July 15, 2016
 PLANS APPROVAL DATE
 THE STATE OF CALIFORNIA OR ITS OFFICERS
 OR AGENTS SHALL NOT BE RESPONSIBLE FOR
 THE ACCURACY OR COMPLETENESS OF SCANNED
 COPIES OF THIS PLAN SHEET.



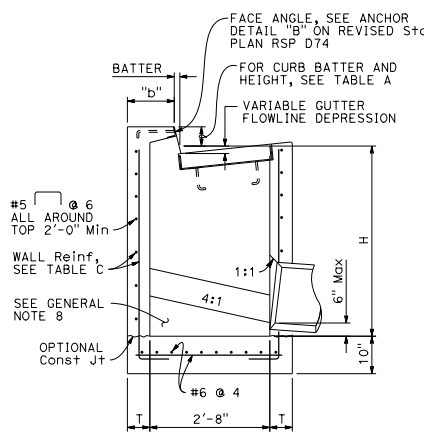
PLAN
TYPE GO



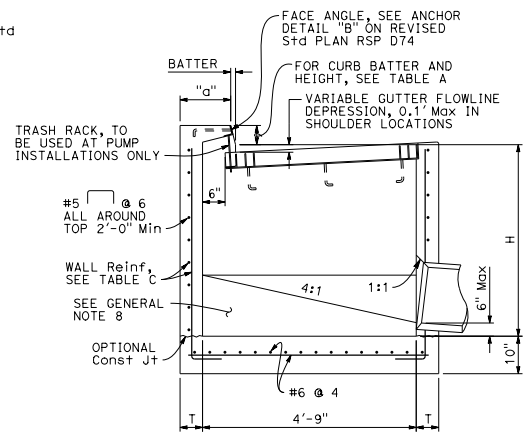
PLAN
TYPE GDO



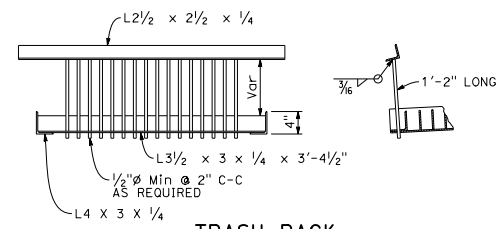
GRATE FRAME FOR TYPE GDO INLET
* HOLES REQUIRED ONLY WITH TRASH RACK



SECTION A-A



SECTION B-B



TRASH RACK
(FOR USE WITH PUMP INSTALLATION)

NOTES:

- See Revised Standard Plan RSP D72F for General Notes and additional details. See Revised Standard Plan RSP D72G for tables, wall thickness "T" and quantities.
- Where shown on the project plans, place a 3/4" plain round protection bar horizontally across the length of the opening and bend back 4" into the inlet wall on each side.
- Complete joint penetration butt welds may be substituted for the fillet welds on all anchors.
- Standard square, hexagon, round or equivalent headed anchors may be substituted for the right angle hooks on the anchors shown on this plan.

CURB TYPE	NORMAL CURB HEIGHT	CURB BATTER	"a" DIMENSION	"b" DIMENSION
A1-6	6"	1 1/2"	T+7 1/2"	T+6 1/2"
A1-8	8"	2"	T+7"	T+6"
B1-6	6"	4"	T+5"	T+4"
TYPE A DIKE	6"	3"	T+6"	T+5"

Height of curb opening will vary with the type of curb and the depth of the local depression.

STATE OF CALIFORNIA
DEPARTMENT OF TRANSPORTATION
**CIP DRAINAGE INLETS
TYPES GO AND GDO**
NO SCALE

2015 REVISED STANDARD PLAN RSP D72E