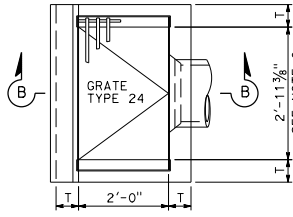
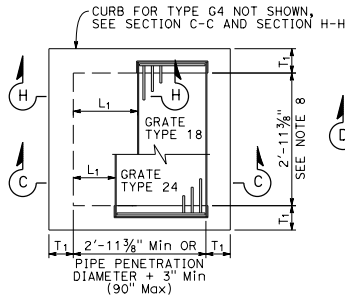


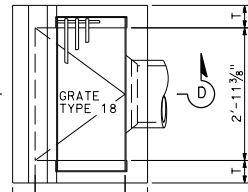
PLAN
TYPE G1



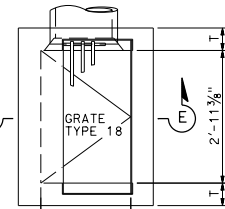
PLAN
TYPE G3



PLAN
STANDARD TYPE G2 OR G4
(INTEGRAL TOP ALTERNATIVE)
FOR "L1" AND "T1" VALUES, SEE TABLE 1



PLAN
TYPE G5



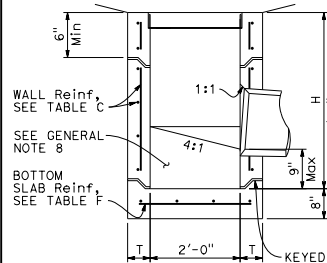
PLAN
TYPE G6

DIST	COUNTY	ROUTE	POST MILES TOTAL PROJECT	SHEET NO.	TOTAL SHEETS

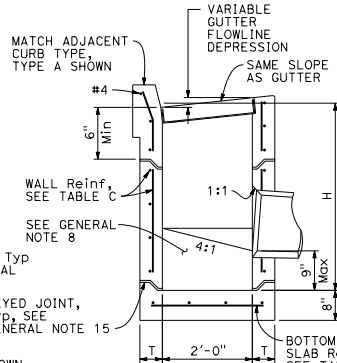
REGISTERED CIVIL ENGINEER
 July 15, 2016
 PLANS APPROVAL DATE
 THE STATE OF CALIFORNIA OR ITS OFFICERS OR AGENTS SHALL NOT BE RESPONSIBLE FOR THE ACCURACY OR COMPLETENESS OF SCANNED COPIES OF THIS PLAN SHEET.

TO ACCOMPANY PLANS DATED _____
NOTE:
 1. For notes and Table 2, See Revised Standard Plan RSP D73C.

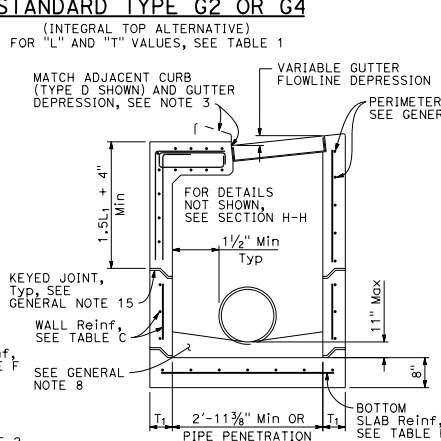
	T1	Vert BARS
L1 AND L2 < 2'-10"	8"	#4 @ 12
L1 OR L2 > 2'-10"	12"	#5 @ 12



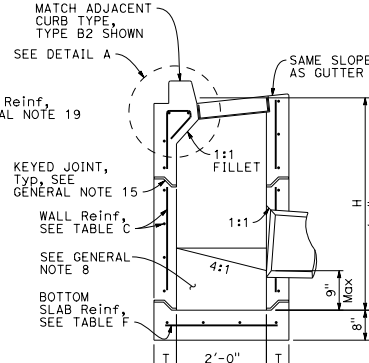
SECTION A-A



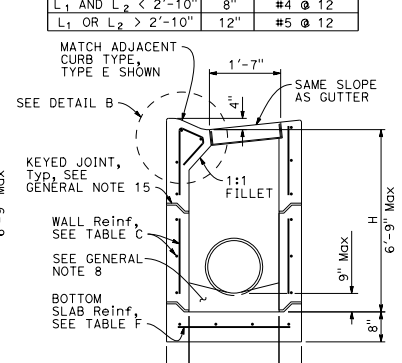
SECTION B-B



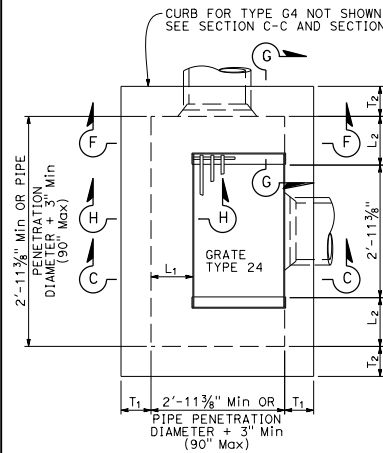
SECTION C-C
FOR "L1", "L2" AND "T1" VALUES, SEE "TABLE 1"



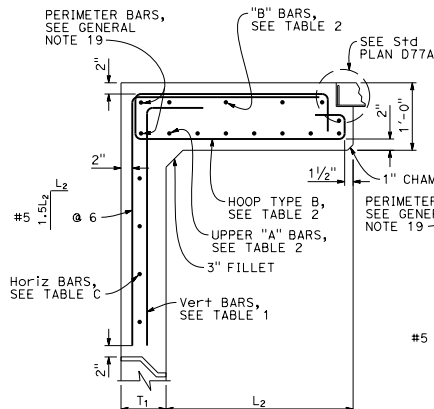
SECTION D-D



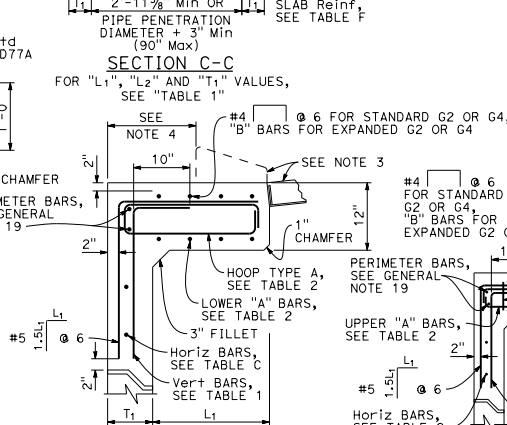
SECTION E-E



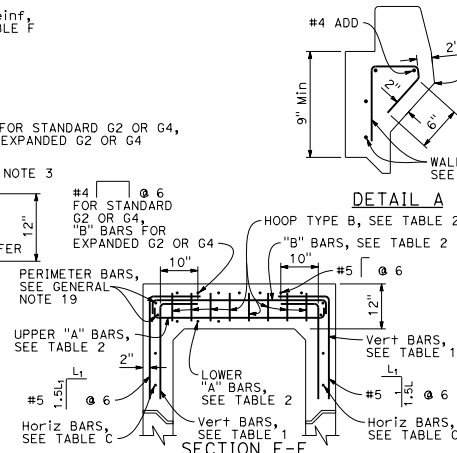
PLAN
EXPANDED
TYPE G2 OR G4
(INTEGRAL TOP ALTERNATIVE)
FOR "L1", "L2" AND "T1" VALUES, SEE "TABLE 1"



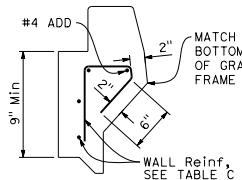
SECTION G-G
FOR "L1", "L2" AND "T1" VALUES, SEE "TABLE 1"



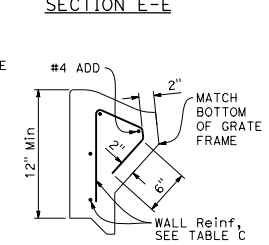
SECTION H-H
FOR "L1", "L2" AND "T1" VALUES, SEE "TABLE 1"



SECTION F-F
FOR "L1", "L2" AND "T1" VALUES, SEE "TABLE 1"



DETAIL A



DETAIL B

STATE OF CALIFORNIA
DEPARTMENT OF TRANSPORTATION
**PRECAST
DRAINAGE INLETS
TYPES G1, G2, G3,
G4, G5 AND G6**
NO SCALE

REVISED STANDARD PLAN RSP D73B

2015 REVISED STANDARD PLAN RSP D73B