
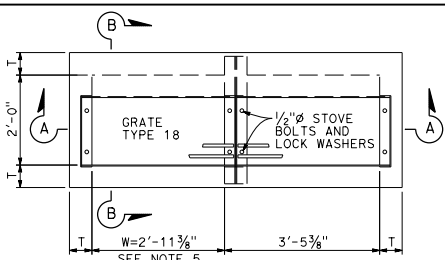


DIST	COUNTY	ROUTE	POST MILES TOTAL PROJECT	SHEET NO.	TOTAL SHEETS

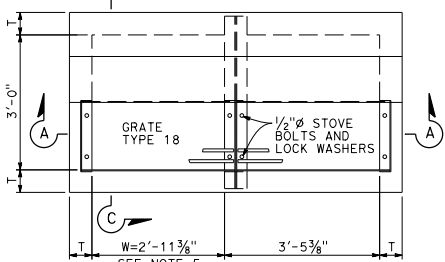


 REGISTERED CIVIL ENGINEER
 July 15, 2016
 PLANS APPROVAL DATE
 THE STATE OF CALIFORNIA OR ITS OFFICERS OR AGENTS SHALL NOT BE RESPONSIBLE FOR THE ACCURACY OR COMPLETENESS OF SCANNED COPIES OF THIS PLAN SHEET.

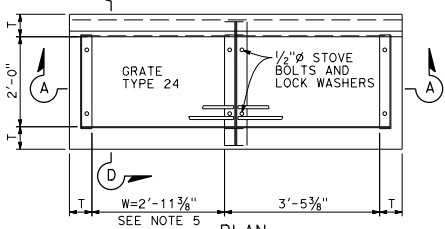
TO ACCOMPANY PLANS DATED _____



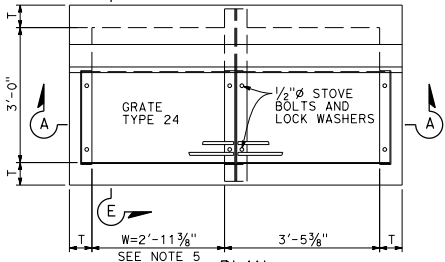
PLAN
TYPE GT1



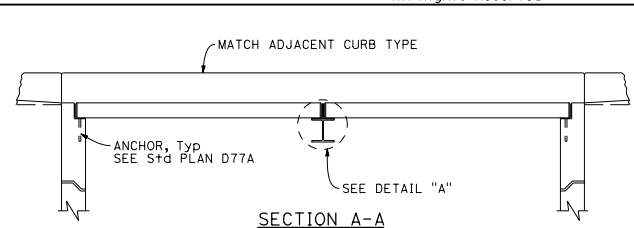
PLAN
TYPE GT2



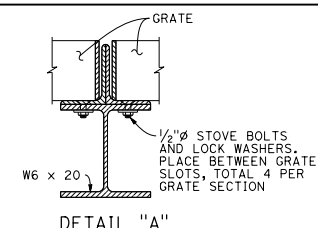
PLAN
TYPE GT3



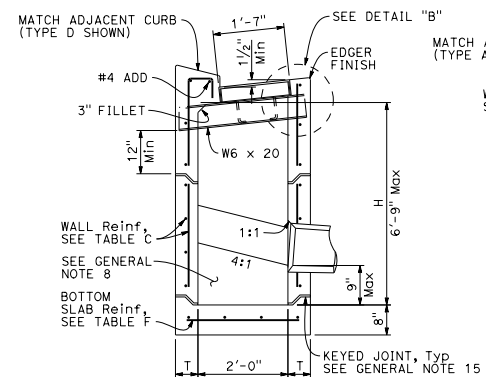
PLAN
TYPE GT4



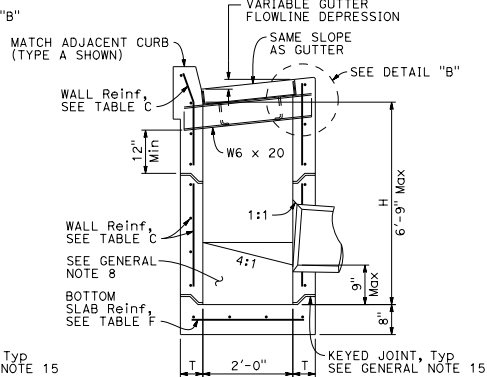
SECTION A-A



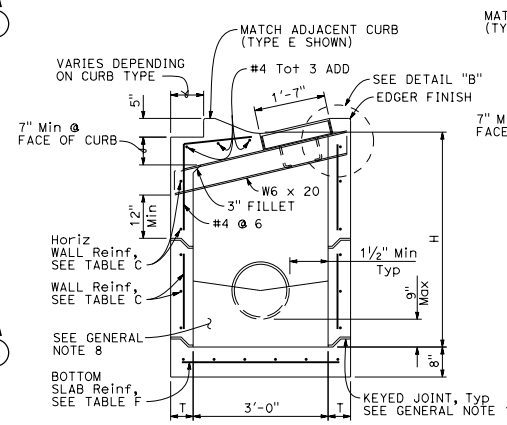
DETAIL "A"



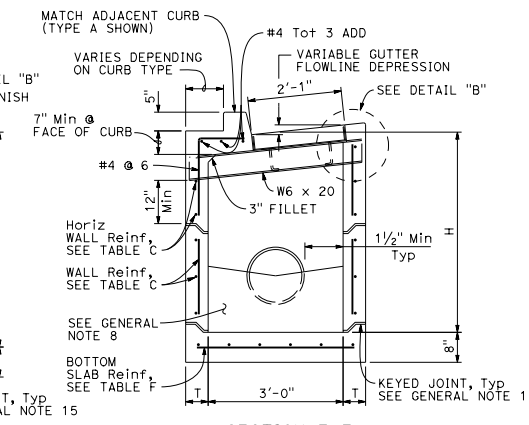
SECTION B-B



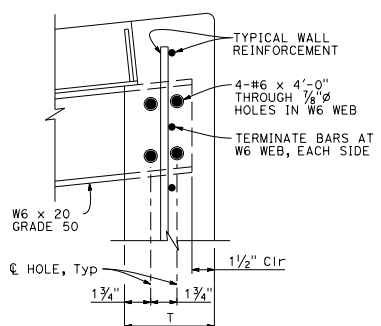
SECTION D-D



SECTION C-C



SECTION E-E



DETAIL "B"
(SIMILAR OPPOSITE END OF W6)

STATE OF CALIFORNIA
DEPARTMENT OF TRANSPORTATION
**PRECAST
DRAINAGE INLETS
TYPES GT1, GT2,
GT3 AND GT4**
NO SCALE

RSP D73D DATED JULY 15, 2016 SUPPLEMENTS THE STANDARD PLANS BOOK DATED 2015.

REVISED STANDARD PLAN RSP D73D

2015 REVISED STANDARD PLAN RSP D73D