

DIST	COUNTY	ROUTE	POST MILES TOTAL PROJECT	SHEET NO.	TOTAL SHEETS

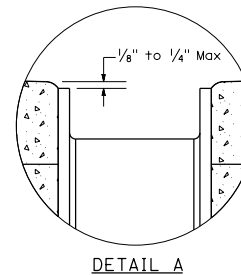
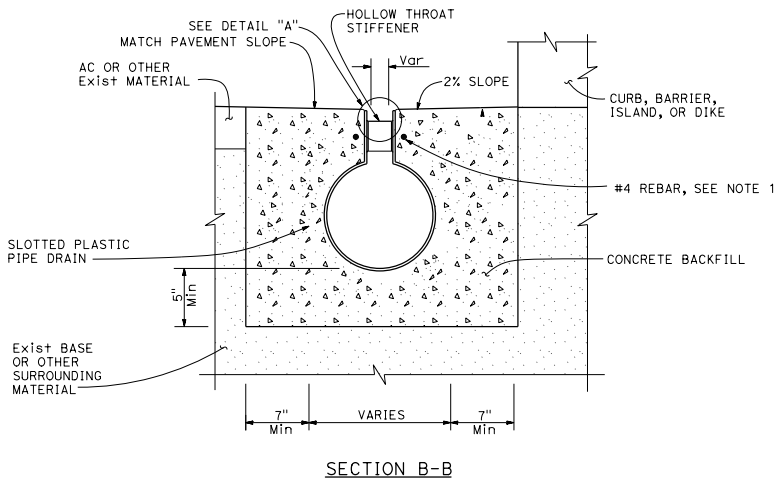
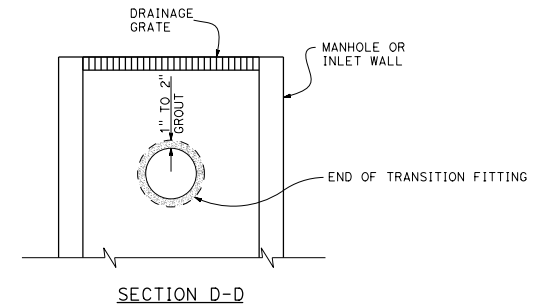
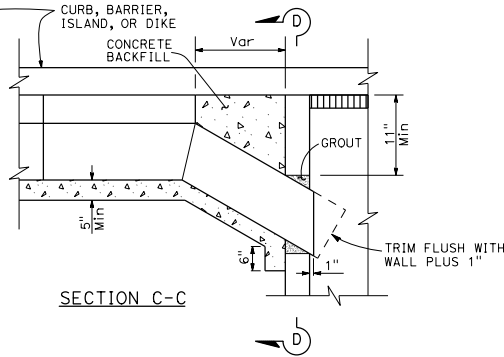
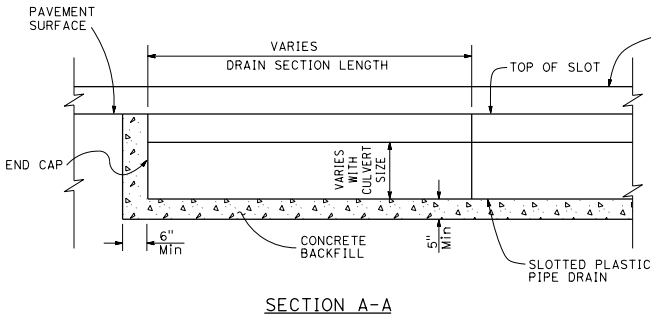
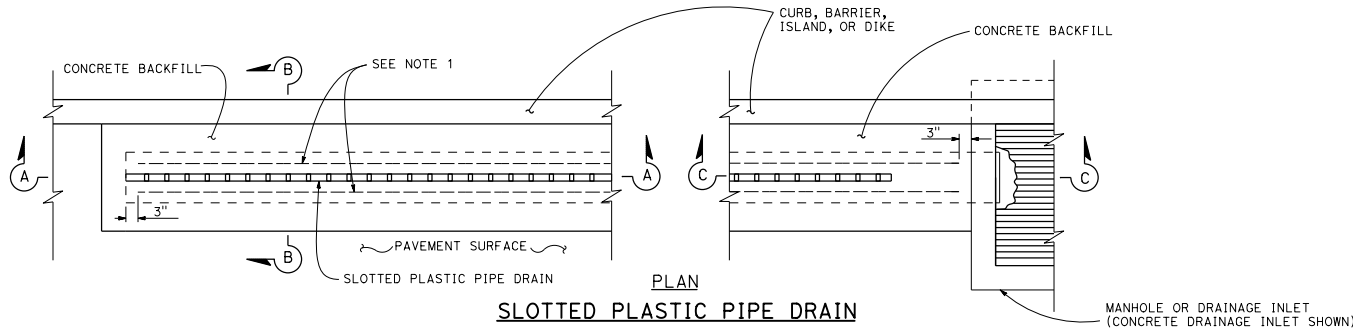
Raymond Don Isztos
 REGISTERED CIVIL ENGINEER
 July 15, 2016
 PLANS APPROVAL DATE
 No. C37332
 Exp. 6-30-18
 CIVIL
 STATE OF CALIFORNIA

THE STATE OF CALIFORNIA OR ITS OFFICERS
 OR AGENTS SHALL NOT BE RESPONSIBLE FOR
 THE ACCURACY OR COMPLETENESS OF SCANNED
 COPIES OF THIS PLAN SHEET.

TO ACCOMPANY PLANS DATED _____

NOTES:

1. Lateral support, #4 bar, to be placed on both sides of slotted plastic pipe throat.
2. Slot plastic pipe cross section is a generic shape. Shape shall conform to allowable manufacturer's cross sections.



STATE OF CALIFORNIA
DEPARTMENT OF TRANSPORTATION
**SLOTTED PLASTIC PIPE
DRAIN DETAILS**
NO SCALE

RSP D98D DATED JULY 15, 2016 SUPPLEMENTS THE STANDARD PLANS BOOK DATED 2015.

REVISED STANDARD PLAN RSP D98D

2015 REVISED STANDARD PLAN RSP D98D