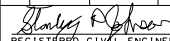


DIST	COUNTY	ROUTE	POST MILES TOTAL PROJECT	SHEET No.	TOTAL SHEETS

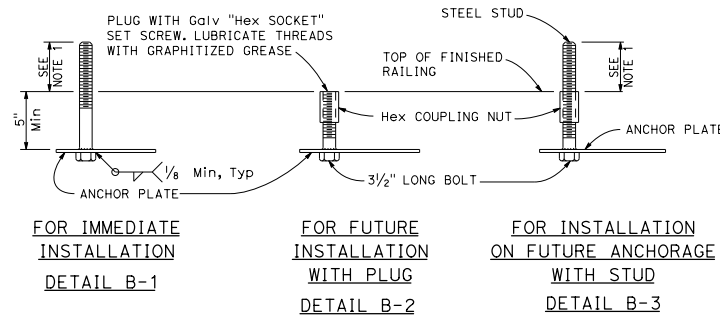

 REGISTERED CIVIL ENGINEER

July 15, 2016
 PLANS APPROVAL DATE

Stanley P. Johnson
 No. C5735
 Exp. 3-31-18
 CIVIL
 STATE OF CALIFORNIA

THE STATE OF CALIFORNIA OR ITS OFFICERS OR AGENTS SHALL NOT BE RESPONSIBLE FOR THE ACCURACY OR COMPLETENESS OF SCANNED COPIES OF THIS PLAN SHEET.

TO ACCOMPANY PLANS DATED _____



**ELECTROLIER ANCHORAGES
DETAIL B**

NOTES:

- Anchor bolt or stud length shall be such that thread extends 1/2" maximum above nut on level base plate after grouting. See Detail N.
- Electrolier anchor bolts shall be held in position for pouring by means of anchor plates and suitable templates. Deviation from the true position, vertical and height shall not exceed 1/16".
- See railing sheets for reinforcement and structural details at electroliers and pull boxes.

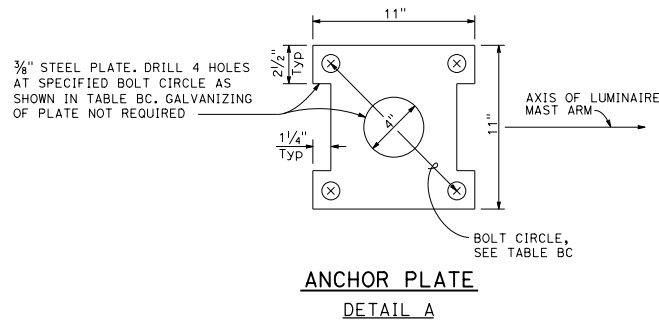
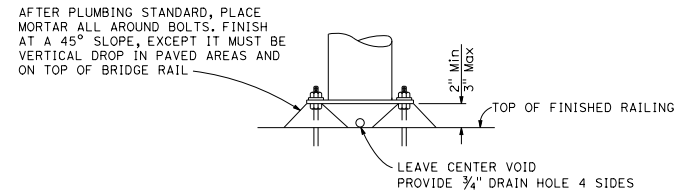


TABLE BC				
TYPE	BC = BOLT CIRCLE	ANCHOR BOLT DIAMETER	COUPLING NUT BASIC LENGTH	SET SCREW LENGTH DETAIL B-2
15	1'-0"	1"	3"	1 1/2"
21	1'-0"	1 1/4"	3 3/4"	1 7/8"



**GROUTING AT ELECTROLIER
DETAIL N**

STATE OF CALIFORNIA
 DEPARTMENT OF TRANSPORTATION
**ELECTRICAL SYSTEMS
 (ELECTROLIER ANCHORAGE AND
 GROUTING FOR
 TYPE 15 AND TYPE 21
 BARRIER RAIL MOUNTED)**

NO SCALE
 RSP ES-6B DATED JULY 15, 2016 SUPERSEDES STANDARD PLAN ES-6B
 DATED OCTOBER 30, 2015 - PAGE 450 OF THE STANDARD PLANS BOOK DATED 2015.

REVISED STANDARD PLAN RSP ES-6B

2015 REVISED STANDARD PLAN RSP ES-6B