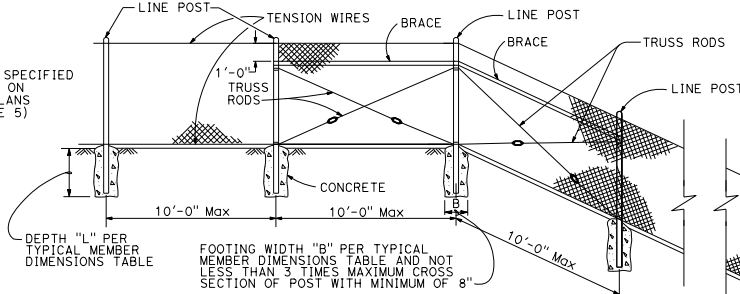
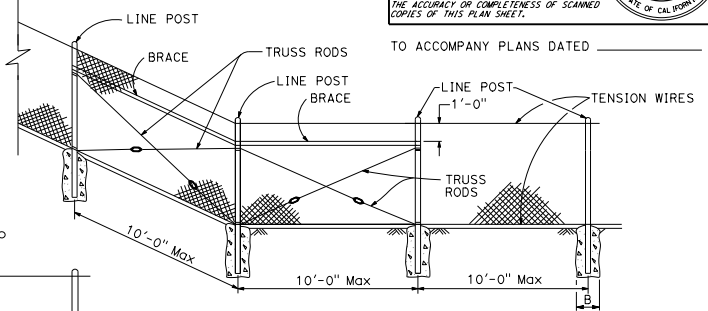


FENCE LOCATION



CHAIN LINK FENCE ON SHARP BREAK IN GRADE

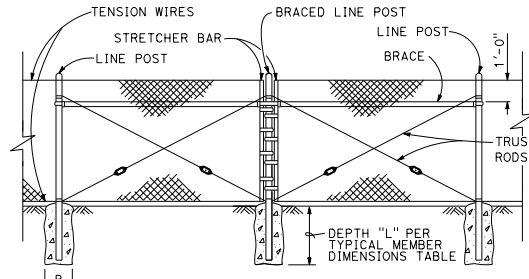


DIST	COUNTY	ROUTE	POST MILES TOTAL PROJECT	SHEET NO.	TOTAL SHEETS

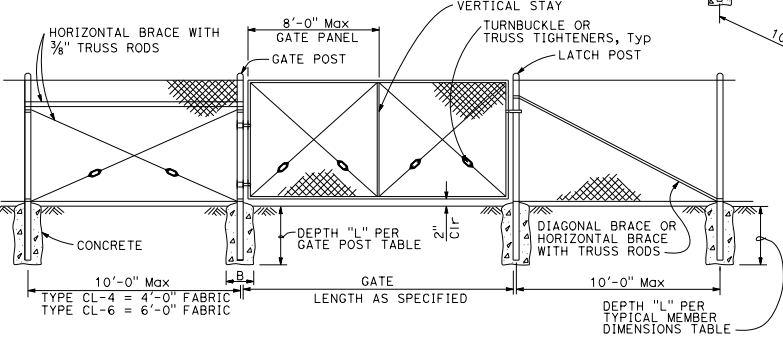
REGISTERED CIVIL ENGINEER
Sukdeep Singh Sandher
No. C74893
Exp. 12-31-17
CIVIL

January 20, 2017
PLANS APPROVAL DATE

TO ACCOMPANY PLANS DATED _____



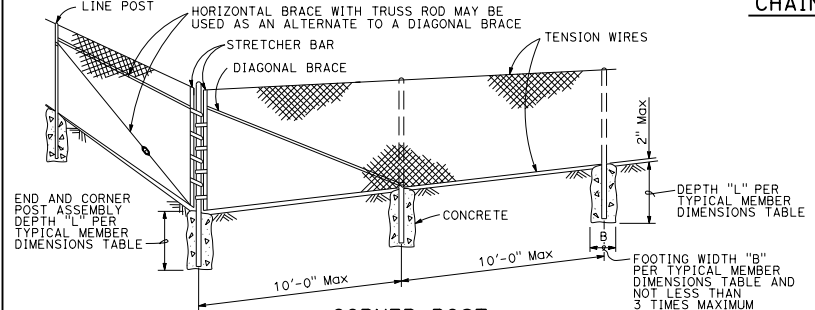
BRACED LINE POST INSTALLATION



CHAIN LINK GATE INSTALLATION

FENCE HEIGHT (Max)	SLATTED	B (in)	L (ft)	ROUND PIPE		
				SECTION	ROUND OD PIPE	WEIGHT (lb/ft)
5'-0"	NO	12"	2'-6"	3 Std	3.50"	7.58
6'-0"	NO	12"	2'-6"	3 Std	3.50"	7.58
8'-0"	NO	12"	3'-0"	3 Std	3.50"	7.58
10'-0"	NO	14"	3'-6"	3 Std	3.50"	7.58
5'-0"	YES	12"	3'-0"	3 1/2 Std	4.00"	9.12
6'-0"	YES	14"	3'-6"	4 Std	4.50"	10.80
8'-0"	YES	18"	3'-6"	5 Std	5.56"	14.60
10'-0"	YES	20"	4'-0"	6 Std	6.63"	19.00

Above post dimensions and weights are minimums. Larger sizes may be used upon approval. Maximum Gate Width is 24'-0".



CORNER POST

NOTES:

- The table to the right shows minimum sized posts and braces complying with the specifications. Larger or heavier post and brace sizes may be used upon approval.
- Sections shown in the tables must also comply with the strength requirements and other provisions of the specifications.
- Other sections which comply with the strength requirements and other provisions of the specifications may be used upon approval.
- Options exercised shall be uniform on any one project.
- Offset to be 2'-0" at monument locations, measured at right angles to R/W lines. Taper to achieve offset to be at least 20'-0" long.
- See Revised Standard Plan RSP A85B for Brace, Stretcher Bar, and Truss Tightener Details.

FENCE HEIGHT (Max)	SLATTED	B (in)	L (ft)	TYPICAL MEMBER DIMENSIONS (See Notes)									
				LINE POSTS				BRACES					
				ROUND PIPE		ROLL FORMED		ROUND PIPE		ROLL FORMED			
				SECTION	ROUND OD PIPE	WEIGHT (lb/ft)	SECTION	WEIGHT (lb/ft)	SECTION	ROUND OD PIPE	WEIGHT (lb/ft)	SECTION	WEIGHT (lb/ft)
5'-0"	NO	8"	2'-6"	1 1/2 Std	1.90"	2.72	1.875" x 1.625"	1.85	1 1/2" Std	1.90"	2.72	1.625" x 1.250"	1.35
6'-0"	NO	10"	2'-6"	2 Std	2.38"	3.66	1.875" x 1.625"	2.40	2 Std	2.38"	3.66	1.625" x 1.250"	1.35
8'-0"	NO	12"	3'-0"	2 1/2 Std	2.88"	5.80	3.250" x 2.500"	4.50	2 Std	2.38"	3.66	1.625" x 1.250"	1.35
10'-0"	NO	14"	3'-6"	3 Std	3.50"	7.58	3.250" x 2.500"	4.50	2 1/2 Std	2.88"	5.80	1.625" x 1.250"	1.35
5'-0"	YES	12"	3'-0"	3 1/2 Std	4.00"	9.12	N/A	-	2 Std	2.38"	3.66	N/A	-
6'-0"	YES	14"	3'-0"	4 Std	4.50"	10.80	N/A	-	2 Std	2.38"	3.66	N/A	-
8'-0"	YES	18"	3'-6"	5 Std	5.56"	14.60	N/A	-	2 Std	2.38"	3.66	N/A	-
10'-0"	YES	20"	4'-0"	6 Std	6.63"	19.00	N/A	-	2 1/2 Std	2.88"	5.80	N/A	-

STATE OF CALIFORNIA
DEPARTMENT OF TRANSPORTATION
CHAIN LINK FENCE
NO SCALE

RSP A85 DATED JANUARY 20, 2017 SUPERSEDES RSP A85 DATED JULY 15, 2016 AND STANDARD PLAN A85 DATED OCTOBER 30, 2015 - PAGE 117 OF THE STANDARD PLANS BOOK DATED 2015.

REVISED STANDARD PLAN RSP A85

2015 REVISED STANDARD PLAN RSP A85