


D16+	COUNTY	ROUTE	POST MILES TOTAL PROJECT	SHEET TOTAL No. SHEETS

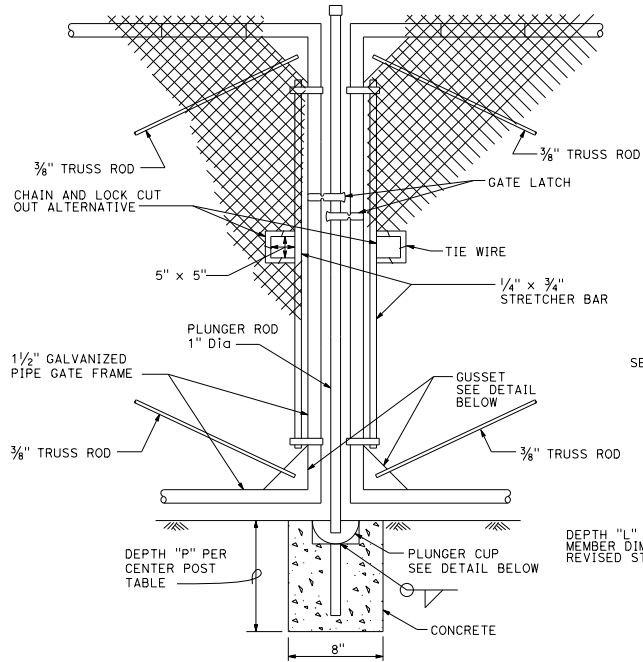


 REGISTERED CIVIL ENGINEER
 January 20, 2017
 PLANS APPROVAL DATE
 THE STATE OF CALIFORNIA OR ITS OFFICERS OR AGENTS SHALL NOT BE RESPONSIBLE FOR THE ACCURACY OR COMPLETENESS OF SCANNED COPIES OF THIS PLAN SHEET.

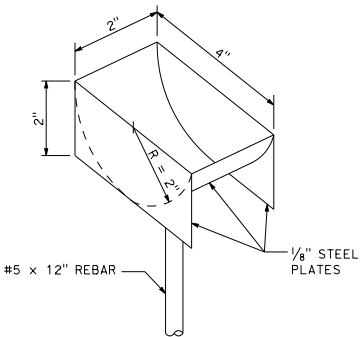
NOTES:

1. B is not less than 3 times maximum cross section of post with minimum of 8".
2. See Revised Standard Plan RSP A85 for Chain Link Fencing dimensions.
3. See Detail A on Standard Plan A86B for connection at headwall.
4. See Detail D on Standard Plan A86B for connection at headwall.

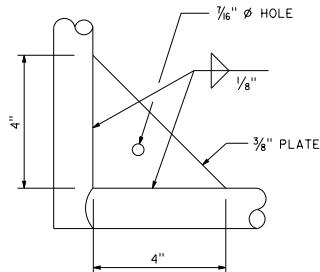
CENTER POST		
FENCE HEIGHT (Max)	SLATTED	P
ALL HEIGHTS	NO	1'-6"
5'-0"	YES	3'-0"
6'-0"	YES	3'-0"
8'-0"	YES	3'-6"
10'-0"	YES	4'-0"



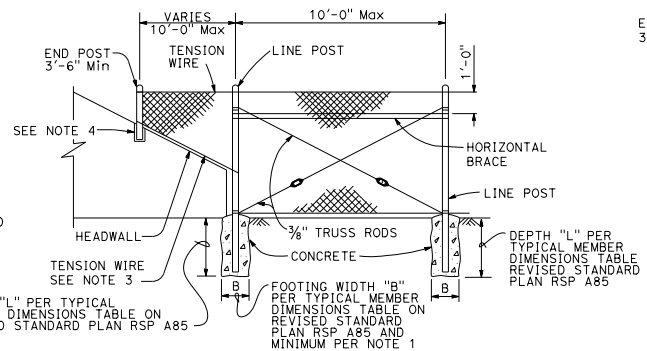
**DOUBLE GATE
REMOVABLE CENTER POST**



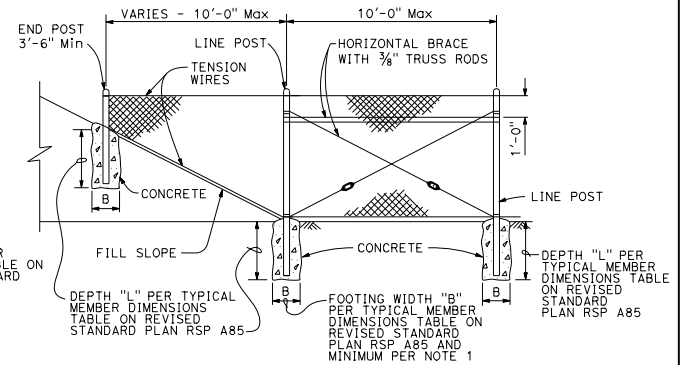
PLUNGER CUP DETAIL



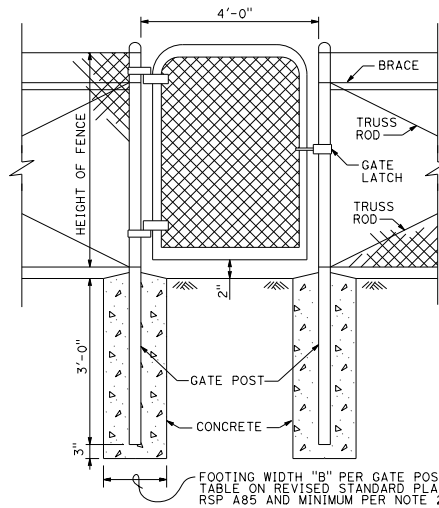
GUSSET DETAIL



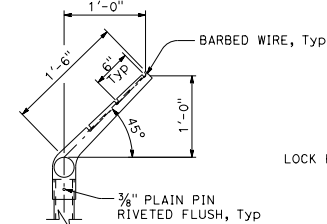
METHOD OF TYING FENCE TO HEADWALL



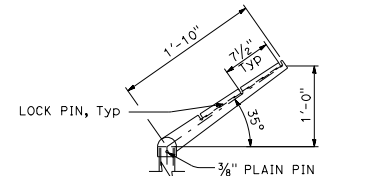
METHOD OF ERECTING FENCE FOR FILL SLOPE



WALK GATE



LINE POST



CORNER POST

BARBED WIRE POST TOP

STATE OF CALIFORNIA
DEPARTMENT OF TRANSPORTATION
CHAIN LINK FENCE DETAILS
NO SCALE

RSP A85A DATED JANUARY 20, 2017 SUPERSEDES RSP A85A DATED JULY 15, 2016 AND STANDARD PLAN A85A DATED OCTOBER 30, 2015 - PAGE 118 OF THE STANDARD PLANS BOOK DATED 2015.

REVISED STANDARD PLAN RSP A85A

2015 REVISED STANDARD PLAN RSP A85A