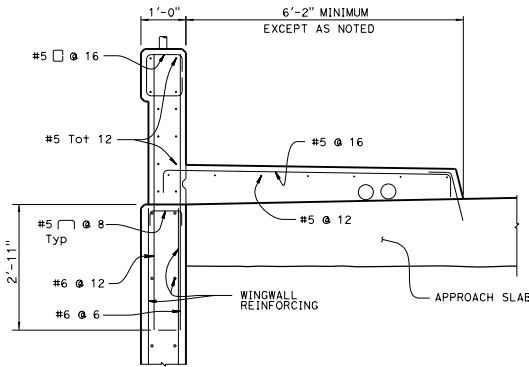
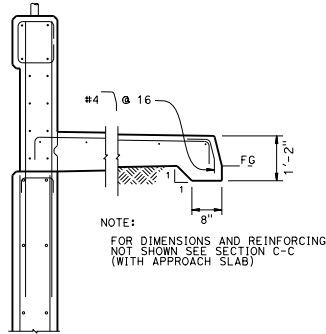


NOTE:
RAILING AND FENCE NOT SHOWN FOR CLARITY

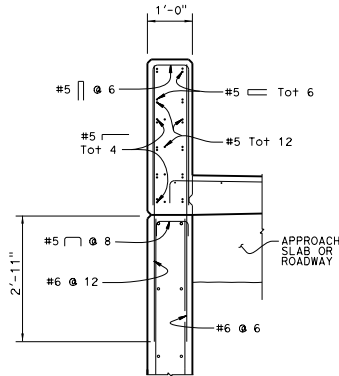


(WITH APPROACH SLAB)



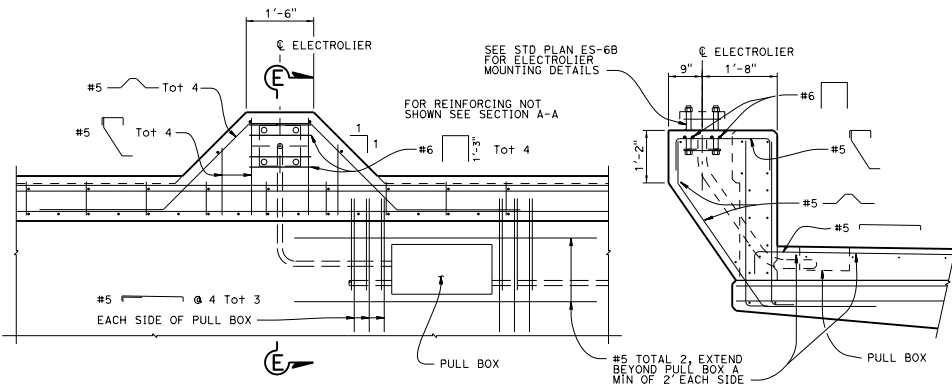
(WITHOUT APPROACH SLAB)

SECTION C-C



NOTE:
FOR SIDEWALK SEE SECTION C-C

SECTION D-D

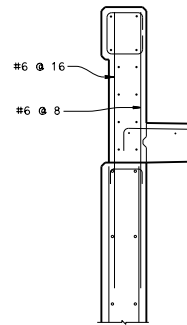


PEDESTAL PLAN

SECTION E-E

PEDESTAL DETAILS

FOR DIMENSIONS AND
Reinf NOT SHOWN SEE
SECTION C-C

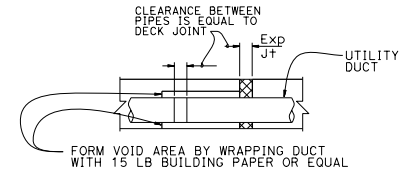


SECTION F-F

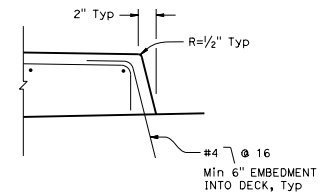
DIST	COUNTY	ROUTE	POST MILES TOTAL PROJECT	SHEET NO.	TOTAL SHEETS

REGISTERED CIVIL ENGINEER
Tillot Satter
No. C42892
PLANS APPROVAL DATE
January 20, 2017
EXP. 3-31-18
THE STATE OF CALIFORNIA OR ITS OFFICERS OR AGENTS SHALL NOT BE RESPONSIBLE FOR THE ACCURACY OR COMPLETENESS OF SCANNED COPIES OF THIS PLAN SHEET.

TO ACCOMPANY PLANS DATED _____



**UTILITY DUCT
EXPANSION JOINT**



TYPICAL CURB DETAIL

STATE OF CALIFORNIA
DEPARTMENT OF TRANSPORTATION
**CONCRETE BARRIER
TYPE 732SW
(SHEET 2 OF 2)**

NO SCALE

RSP B11-59 DATED JANUARY 20, 2017 SUPPLEMENTS THE STANDARD PLANS BOOK DATED 2015.

REVISED STANDARD PLAN RSP B11-59

2015 REVISED STANDARD PLAN RSP B11-59