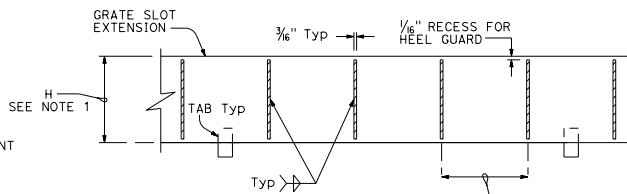
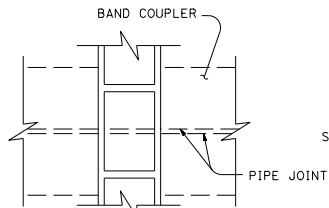


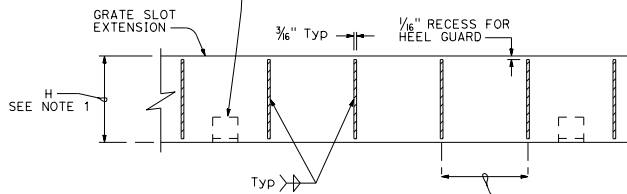
RECTANGULAR SPACER SECTION TAPERED SPACER

**SLOTTED CORRUGATED STEEL PIPE**

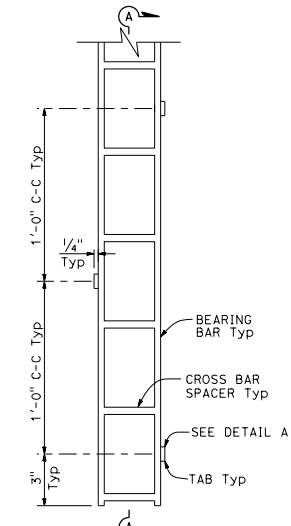
Grate slot extension



SECTION A-A



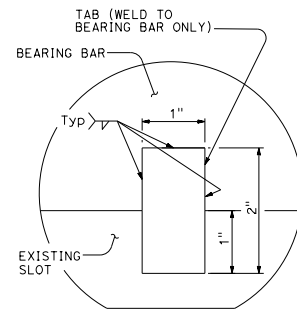
SECTION B-B



PLAN

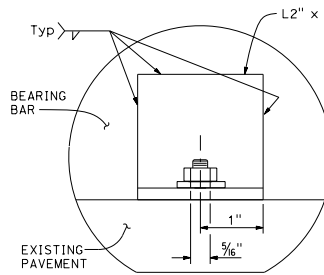
**SLOTTED CORRUGATED STEEL PIPE**

Grate slot extension



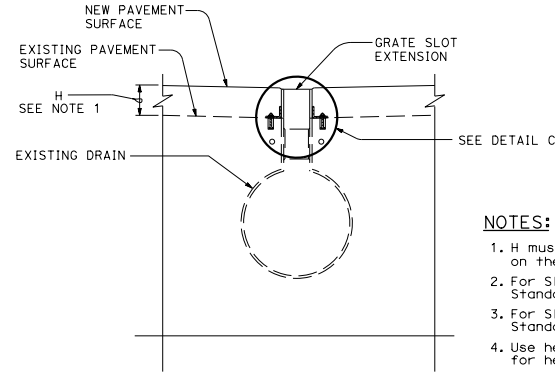
DETAIL A

Tab alignment



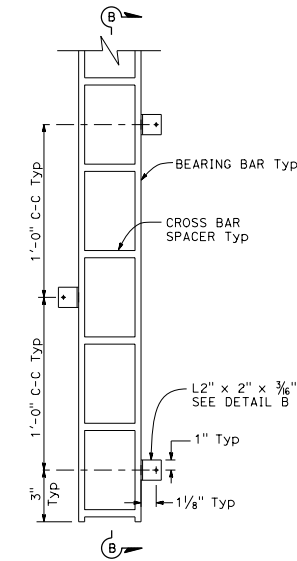
DETAIL B

Angle alignment



**SECTION SLOTTED PLASTIC PIPE**

Grate slot extension



PLAN

**SLOTTED PLASTIC PIPE**

Grate slot extension

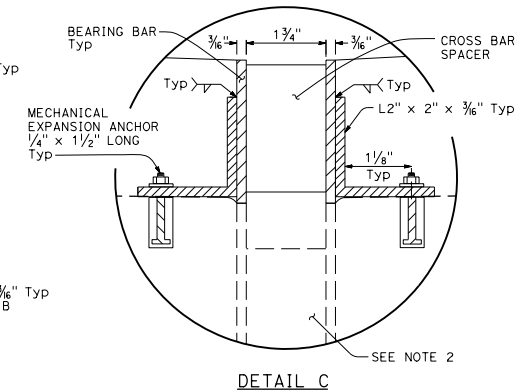
DIST	COUNTY	ROUTE	POST MILES TOTAL PROJECT	SHEET TOTAL SHEETS

Registered Civil Engineer  
**Raymond Don Isztou**  
 No. C37332  
 January 20, 2017  
 PLANS APPROVAL DATE  
 THE STATE OF CALIFORNIA OR ITS OFFICERS OR AGENTS SHALL NOT BE RESPONSIBLE FOR THE ACCURACY OR COMPLETENESS OF SCANNED COPIES OF THIS PLAN SHEET.  
 EXP. 6-30-18  
 CIVIL  
 STATE OF CALIFORNIA

TO ACCOMPANY PLANS DATED \_\_\_\_\_

**NOTES:**

- H must be a minimum of 2 1/2", or otherwise shown on the plans.
- For Slotted Plastic Pipe Drain Details, see Revised Standard Plan RSP D98D.
- For Slotted Corrugated Steel Pipe Drain Details, see Standard Plans D98A and D98B.
- Use heel guard when shown. See Standard Plan D98B for heel guard details.
- Minimum grate slot extension length is 80".
- The top corners of the grate slot extension's bearing bars must not vary from a straight line more than 1/2" in 20'-0".
- Cross bar spacers must be welded to the grate slot extension's bearing bars to achieve a minimum tensile strength of 12,000 LB normal to the longitudinal axis of the bearing bars.



DETAIL C

STATE OF CALIFORNIA  
DEPARTMENT OF TRANSPORTATION  
**SLOTTED PIPE GRATE EXTENSION DETAILS**

NO SCALE

RSP D98F DATED JANUARY 20, 2017 SUPERSEDES STANDARD PLAN D98F DATED OCTOBER 30, 2015 - PAGE 226 OF THE STANDARD PLANS BOOK DATED 2015.

**REVISED STANDARD PLAN RSP D98F**

2015 REVISED STANDARD PLAN RSP D98F