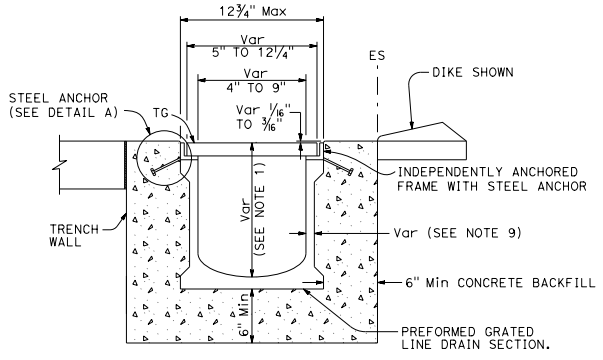


DIST	COUNTY	ROUTE	POST MILES TOTAL PROJECT	SHEET NO.	TOTAL SHEETS

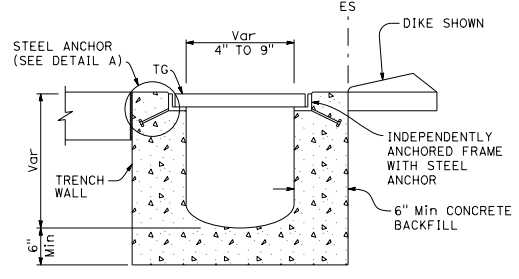
Raymond Don Isztio
 REGISTERED CIVIL ENGINEER
 January 20, 2017
 PLANS APPROVAL DATE
 No. C37332
 Exp. 6-30-18
 CIVIL
 REGISTERED PROFESSIONAL ENGINEER
 STATE OF CALIFORNIA

THE STATE OF CALIFORNIA OR ITS OFFICERS
 OR AGENTS SHALL NOT BE RESPONSIBLE FOR
 THE ACCURACY OR COMPLETENESS OF SCANNED
 COPIES OF THIS PLAN SHEET.

TO ACCOMPANY PLANS DATED _____

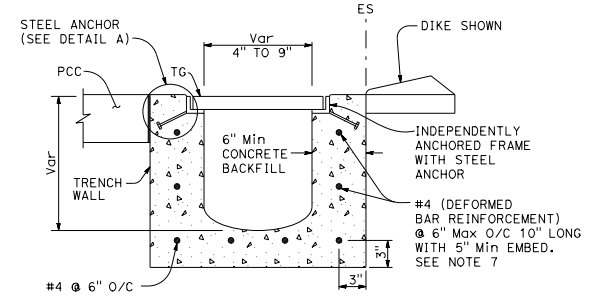


SECTION C-C
(See Note 1)



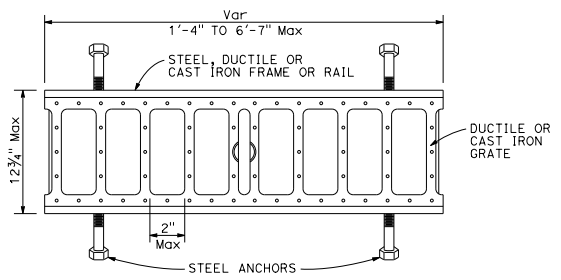
CAST-IN-PLACE ALTERNATIVE

SECTION C-C
(See Note 1)

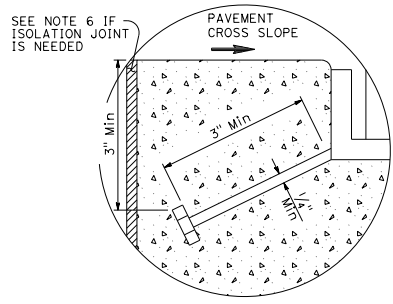


SECTION F-F
FOR CAST-IN-PLACE AND PRECAST INLETS
(See Note 1)

NOTE:
1. See Revised Standard Plan RSP D98H for corresponding notes.



FRAME AND GRATE DETAIL
(See Note 1)



DETAIL A

STATE OF CALIFORNIA
DEPARTMENT OF TRANSPORTATION
GRADED LINE DRAIN DETAILS No. 3
(ALL TYPES EXCEPT 4" NOMINAL
WIDTH POLYMER CONCRETE)

NO SCALE

RSP D981 DATED JANUARY 20, 2017 SUPPLEMENTS THE STANDARD PLANS BOOK DATED 2015.

REVISED STANDARD PLAN RSP D981

2015 REVISED STANDARD PLAN RSP D981