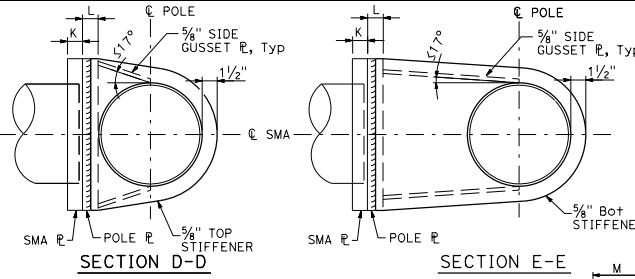


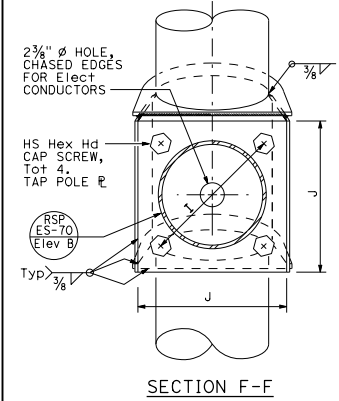
TYPE 60-5-100
ELEVATION A

SECTION F-F

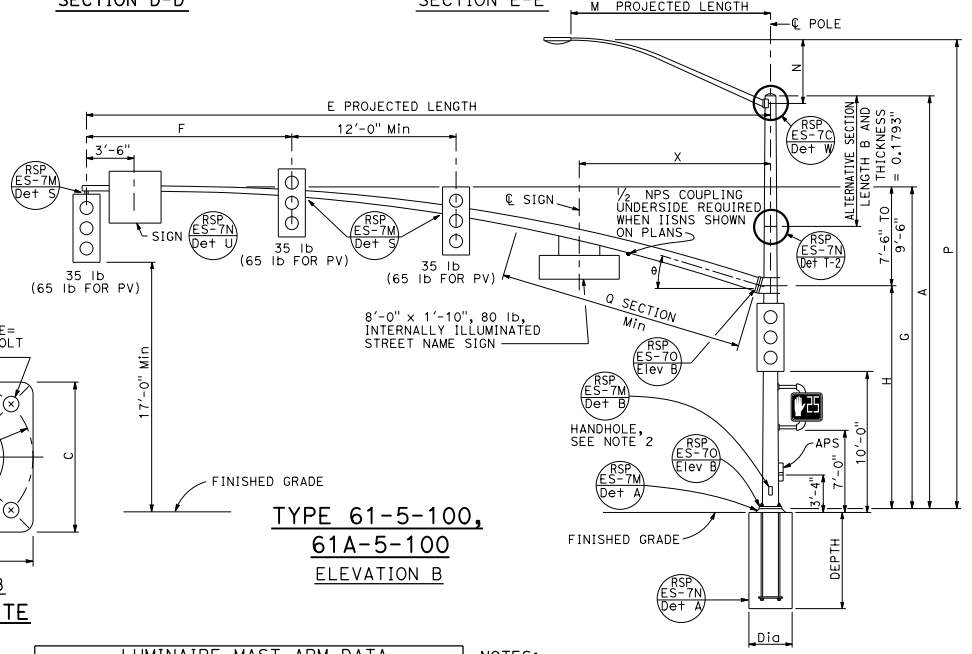


SECTION D-D

SECTION E-E



DETAIL B
BASE PLATE



TYPE 61-5-100
61A-5-100
ELEVATION B

M PROJECTED LENGTH	N RISE	Min OD AT POLE	THICKNESS	P MOUNTING HEIGHT POLE
6'-0"	2'-0"±	3/4"	0.1196"	30'-0" 35'-0"
8'-0"	2'-6"±	3/2"		31'-6"± 36'-6"±
10'-0"	3'-3"±	3 7/8"		32'-0"± 37'-0"±
12'-0"	4'-3"±	3 7/8"		32'-9"± 37'-9"±
15'-0"	4'-9"±	4 1/4"		33'-9"± 38'-9"±
				34'-3"± 39'-3"±

NOTES:

- The radial separation between the face of the pole and the adjacent insides of the top and bottom gusset plates shall not exceed 1/8". Fillet weld size to be increased by amount of gap.
- Handhole shall be located on the downstream side of traffic.

STATE OF CALIFORNIA
DEPARTMENT OF TRANSPORTATION

ELECTRICAL SYSTEMS
(SIGNAL AND LIGHTING STANDARD,
CASE 5 SIGNAL MAST ARM LOADING,
WIND VELOCITY=100 MPH AND SIGNAL
MAST ARM LENGTHS 60' TO 65')

NO SCALE

RSP ES-7H DATED JANUARY 20, 2017 SUPERSEDES RSP ES-7H DATED JULY 15, 2016 AND STANDARD PLAN ES-7H DATED OCTOBER 30, 2015 - PAGE 463 OF THE STANDARD PLANS BOOK DATED 2015.

REVISED STANDARD PLAN RSP ES-7H

E PROJECTED LENGTH	F Min SPACING	G MOUNTING HEIGHT	H	Min OD AT POLE	THICKNESS	I BOLT CIRCLE	HS CAP SCREWS	J PLATE SIZE	K MAST ARM THICKNESS	L POLE THICKNESS	θ	Q SECTION LENGTH	Q SECTION THICKNESS	X Max
60'-0"	15'-0"	23'-7" TO 25'-7"	16'-0"	1'-1 1/2"	0.1793" 0.2391"	20"	1 1/2"-6NC-4"	2'-0"	2"	2"	15°	24'-0" 29'-0"	0.2391" 0.3125"	14'-0"

POLE TYPE	LOAD CASE	WIND VELOCITY (mph)	POLE DATA				BASE PLATE DATA				LUMINAIRE MAST ARM	SIGNAL MAST ARM	CIDH PILE FOUNDATION				
			A HEIGHT	Min OD BASE	Min OD TOP	THICKNESS	ALTERNATIVE SECTION B LENGTH	ALTERNATIVE SECTION TOP	C	BC BOLT CIRCLE			THICKNESS	ANCHOR BOLT SIZE	Dia	DEPTH	
60-5-100	5	100	17'-0"	22"	19 3/8"	0.375"				2'-6"	2'-4"			NONE	60'-0"	4'-0"	14'-0"
61-5-100			30'-0"	25"	20 3/4"					2'-11"	2'-9"	3"		3"ø x 60"	6'-15' [15'-0"]	4'-6"	15'-0"
61A-5-100			35'-0"		20"					2'-11"	2'-9"				[65'-0"]		

□ INDICATES MAST ARM LENGTH TO BE USED UNLESS OTHERWISE NOTED ON PLANS.

DIST	COUNTY	ROUTE	POST MILES TOTAL PROJECT	SHEET NO.	TOTAL SHEETS

REGISTERED CIVIL ENGINEER
Stanley P. Johnson
No. C61793
EXPIRES 3-31-18
CIVIL
STATE OF CALIFORNIA

PLANS APPROVAL DATE
January 20, 2017

THE STATE OF CALIFORNIA OR ITS OFFICERS OR AGENTS SHALL NOT BE RESPONSIBLE FOR THE ACCURACY OR COMPLETENESS OF SCANNED COPIES OF THIS PLAN SHEET.

2015 REVISED STANDARD PLAN RSP ES-7H