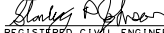


Dist	COUNTY	ROUTE	POST MILES TOTAL PROJECT	SHEET No.	TOTAL SHEETS

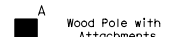
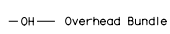
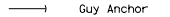

 REGISTERED CIVIL ENGINEER
 No. CS7935
 Exp. 3-31-18
 CIVIL
 STATE OF CALIFORNIA

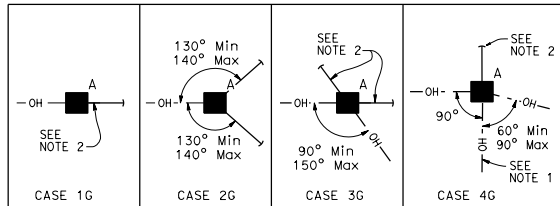
January 20, 2017
 PLANS APPROVAL DATE
 THE STATE OF CALIFORNIA OR ITS OFFICERS
 OR AGENTS SHALL NOT BE RESPONSIBLE FOR
 THE ACCURACY OR COMPLETENESS OF SCANNED
 COPIES OF THIS PLAN SHEET.

TO ACCOMPANY PLANS DATED _____

POLE SELECTION TABLE

LEGEND

-  Wood Pole with Attachments
-  Overhead Bundle
-  Guy Anchor

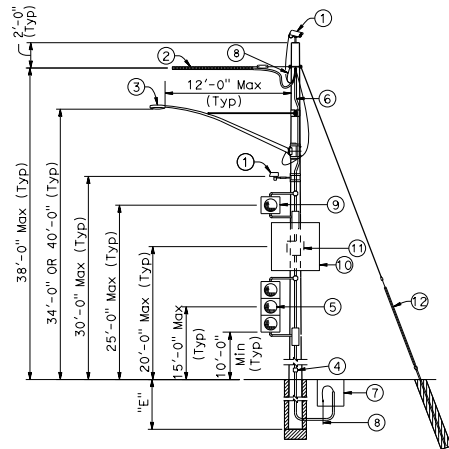


OVERHEAD BUNDLE HORIZONTAL SPAN (Max)	MAXIMUM d _p	1"				1.5"				2.0"				2.5"							
		H-1	H-1	H-2	H-2	1	1	1	1	1	1	1	H-1	H-2	H-2	H-3	H-3				
50'		MINIMUM POLE CLASS				H-1 H-1 H-2 H-2				1 1 1 1				1 1 1 H-1				H-2 H-2 H-3 H-3			
		POLE EMBEDMENT (E)				10'				9'				9'				11'			
100'		MINIMUM POLE CLASS				H-2 H-2 H-3 H-4				1 H-1 H-1 H-1				1 H-1 H-2 H-2				H-3 H-3 H-4 H-4			
		POLE EMBEDMENT (E)				11'				9'				9'				12'			
150'		MINIMUM POLE CLASS				H-3 H-3 H-4 H-5				H-1 H-1 H-2 H-2				H-2 H-3 H-3 H-3				H-4 H-5 H-5 H-6			
		POLE EMBEDMENT (E)				11'				9'				9'				12'			
200'		MINIMUM POLE CLASS				H-4 H-4 H-5 H-6				H-1 H-2 H-3 H-3				H-3 H-3 H-4 H-4				H-5 H-6			
		POLE EMBEDMENT (E)				11'				9'				9'				12'			

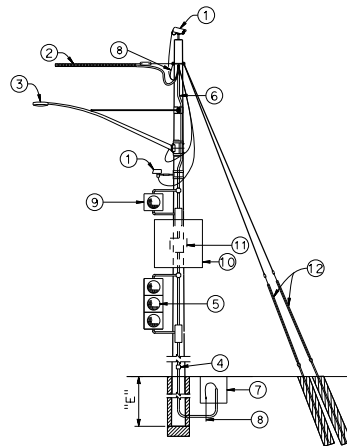
- ① CCTV camera assembly or vehicle detection system
- ② Overhead bundle consisting of a 3/8" Ø messenger wire, overhead conductors, and lashing wire
- ③ Luminaire with mast arm
- ④ Pedestrian push button assembly or accessible push button assembly
- ⑤ Signal face with 3 indications or single sheet sign panel (10 SOFT Max)
- ⑥ Riser with weather head as required
- ⑦ Pull box as required
- ⑧ Grounding as required
- ⑨ Single flashing beacon or single sheet sign panel (4 SOFT Max)
- ⑩ Single sheet sign panel (4' x 4' Max) or signal face with 3 indications
- ⑪ Flashing beacon control assembly
- ⑫ 1/2" Ø guy wire with white guy marker and strain insulator (for anchorage see "TEMPORARY WOOD POLES-DETAILS No. 2" sheet)

NOTES:

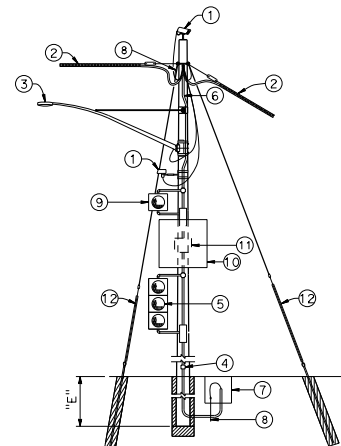
1. In addition to other restrictions on maximum horizontal span, this horizontal span must not exceed 100'.
2. Guy wire in line with opposing span ± 5°.



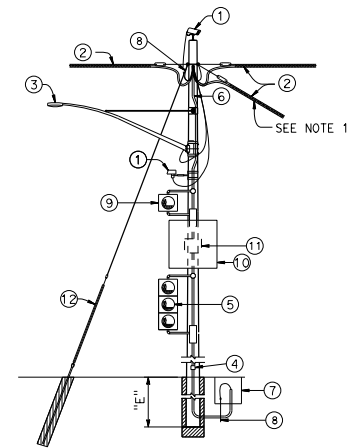
**CASE 1G
POLE AT DEAD END
WITH ATTACHMENTS**



**CASE 2G
POLE AT DEAD END
WITH ATTACHMENTS**



**CASE 3G
POLE AT CORNER
WITH ATTACHMENTS**



**CASE 4G
POLE AT JUNCTION
WITH ATTACHMENTS**

STATE OF CALIFORNIA
DEPARTMENT OF TRANSPORTATION

**TEMPORARY WOOD POLES
GUYED - NO SIGNALS ON SPANS**

NO SCALE

RSP ES-18C DATED JANUARY 20, 2017 SUPPLEMENTS THE STANDARD PLANS BOOK DATED 2015.

REVISED STANDARD PLAN RSP ES-18C

2015 REVISED STANDARD PLAN RSP ES-18C