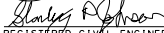

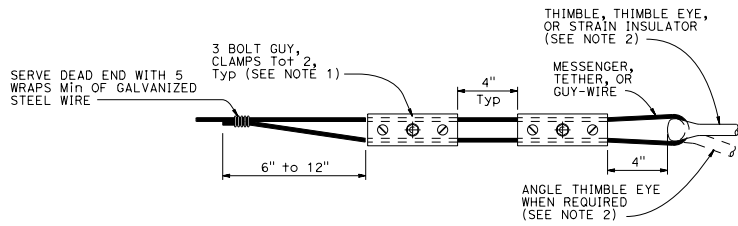
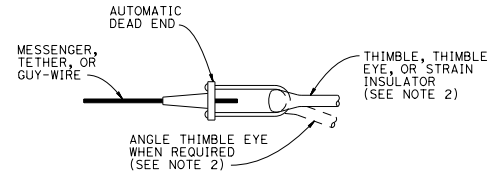


DIST	COUNTY	ROUTE	POST MILES TOTAL PROJECT	SHEET NO.	TOTAL SHEETS

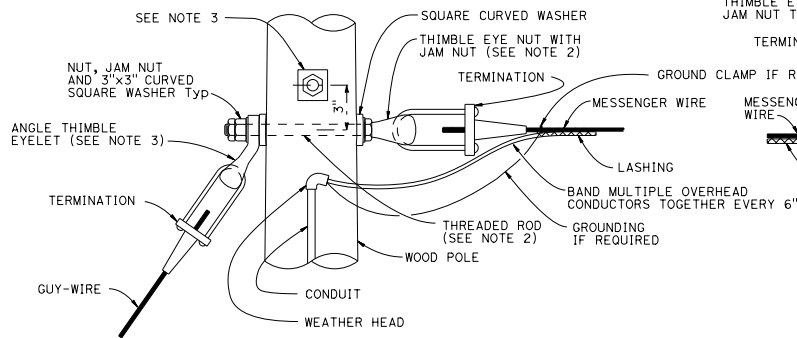
 REGISTERED CIVIL ENGINEER		
January 20, 2017 PLANS APPROVAL DATE		
THE STATE OF CALIFORNIA OR ITS OFFICERS OR AGENTS SHALL NOT BE RESPONSIBLE FOR THE ACCURACY OR COMPLETENESS OF SCANNED COPIES OF THIS PLAN SHEET.		



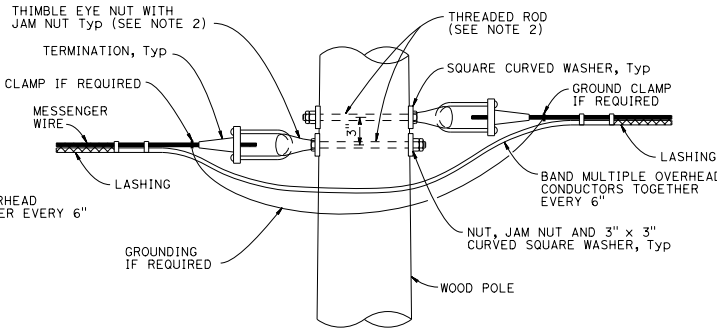
ALTERNATIVE TERMINATION OF MESSENGER WIRES USING GUY CLAMPS



TERMINATION OF WIRES USING AUTOMATIC DEAD END

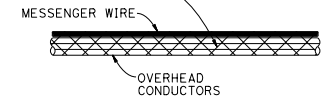


POLE AT DEAD END WITH GUY-WIRE CONNECTION



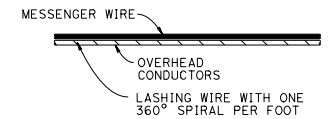
POLE AT TANGENT OR CORNER CONNECTION

LASHING WIRE WITH ONE 360° SPIRAL PER FOOT CLOCKWISE AND ONE 360° SPIRAL PER FOOT COUNTERCLOCKWISE



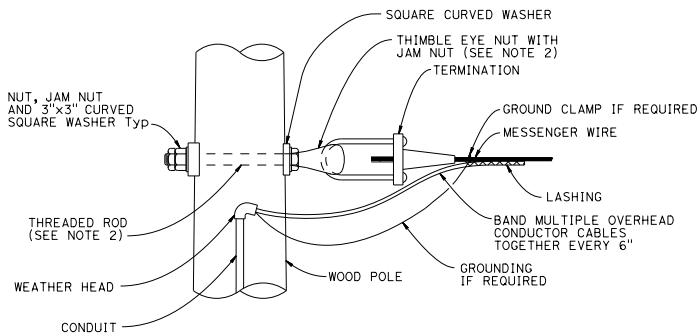
DOUBLE LASHING DETAIL

USE IF d_c IS GREATER THAN $1/2$ "

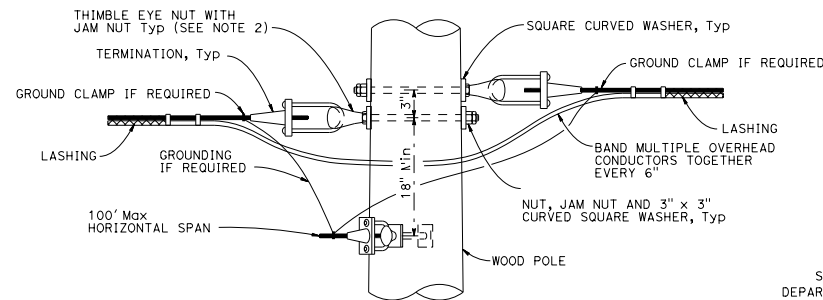


TYPICAL LASHING DETAIL

USE IF d_c IS $1/2$ " OR LESS



POLE AT DEAD END CONNECTION



POLE AT JUNCTION CONNECTION

NOTES:

- For guy wires use 3 clamps.
- Use $5/8$ " ϕ except $3/4$ " ϕ at guyed wires
- Install additional angle thimble eyelet at poles with two guy wires.

STATE OF CALIFORNIA
DEPARTMENT OF TRANSPORTATION

**TEMPORARY WOOD POLES
DETAILS No. 1**

NO SCALE

RSP ES-19A DATED JANUARY 20, 2017 SUPPLEMENTS THE STANDARD PLANS BOOK DATED 2015.

REVISED STANDARD PLAN RSP ES-19A

2015 REVISED STANDARD PLAN RSP ES-19A