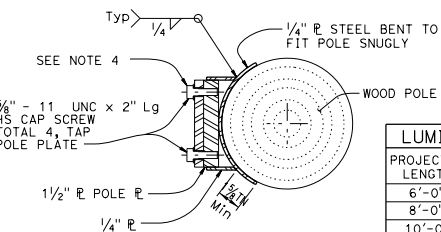


ELEVATION

DETAIL A  
TIE-ROD AT LUMINAIRE ARM

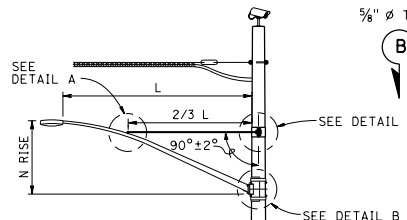
NOTES:

- Luminaire mast arms must be in compliance with Standard Plan ES-6D with noted modifications.
- Verify pole dimensions at tie-rod attachment height. Fabricate 8" flat bar with "L" dimension to maintain an open gap between flanges in finished installation.
- Not all screw heads and bolt heads are shown for clarity.
- Mast arm not shown for clarity.

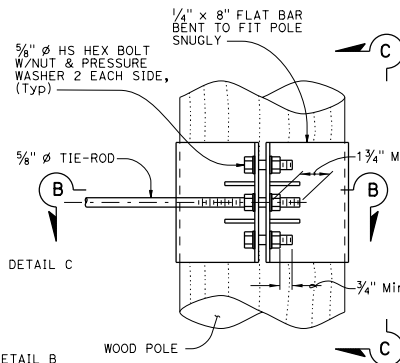


SECTION E-E

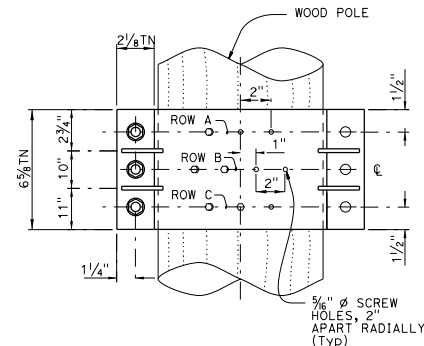
LUMINAIRE MAST ARM DATA			
PROJECTED LENGTH	N RISE AT POLE	MIN OD AT POLE	NOMINAL THICKNESS
6'-0"	2'-0"±	3/4"	0.1196"
8'-0"	2'-6"±	3/2"	
10'-0"	3'-3"±	3 3/4"	
12'-0"	4'-3"±	3 3/4"	



LUMINAIRE MAST ARM



ELEVATION



VIEW C-C

NOTE:  
Not all screw and bolt heads shown for clarity.

TO ACCOMPANY PLANS DATED \_\_\_\_\_

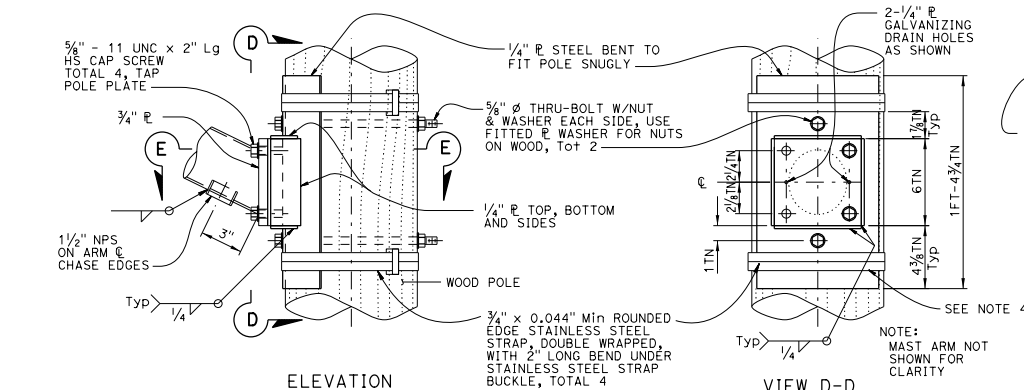
Dist	COUNTY	ROUTE	POST MILES TOTAL PROJECT	SHEET TOTAL NO. SHEETS

Stanley P. Johnson  
REGISTERED CIVIL ENGINEER

January 20, 2017  
PLANS APPROVAL DATE

Stanley P. Johnson  
No. CS7935  
Exp. 3-31-18  
CIVIL  
REGISTERED PROFESSIONAL ENGINEER  
STATE OF CALIFORNIA

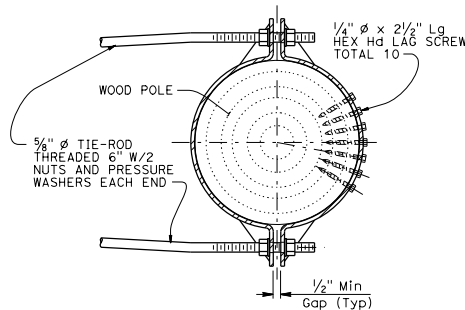
THE STATE OF CALIFORNIA OR ITS OFFICERS OR AGENTS SHALL NOT BE RESPONSIBLE FOR THE ACCURACY OR COMPLETENESS OF SCANNED COPIES OF THIS PLAN SHEET.



ELEVATION

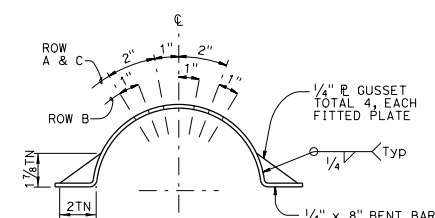
DETAIL B  
ARM CONNECTION DETAILS

VIEW D-D



SECTION B-B

DETAIL C  
TIE-ROD AT POLE



LAG SCREW AND  
GUSSET PLATE LAYOUT

STATE OF CALIFORNIA  
DEPARTMENT OF TRANSPORTATION  
**TEMPORARY WOOD POLES  
DETAILS No. 3**  
NO SCALE

RSP ES-19C DATED JANUARY 20, 2017 SUPPLEMENTS THE STANDARD PLANS BOOK DATED 2015.

**REVISED STANDARD PLAN RSP ES-19C**

2015 REVISED STANDARD PLAN RSP ES-19C