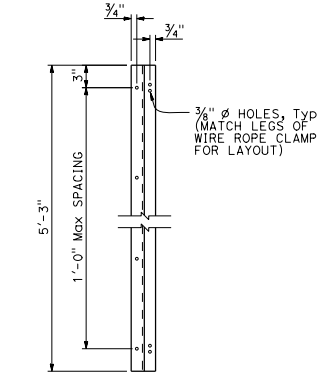


DIST	COUNTY	ROUTE	POST MILES TOTAL PROJECT	SHEET TOTAL SHEETS

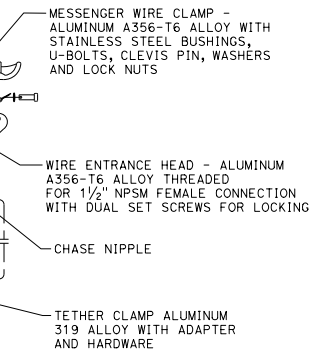
Stanley P. Johnson
 REGISTERED CIVIL ENGINEER
 No. CS1793
 Exp. 3-31-18
 CIVIL
 STATE OF CALIFORNIA

January 20, 2017
 PLANS APPROVAL DATE
 THE STATE OF CALIFORNIA OR ITS OFFICERS
 OR AGENTS SHALL NOT BE RESPONSIBLE FOR
 THE ACCURACY OR COMPLETENESS OF SCANNED
 COPIES OF THIS PLAN SHEET.

TO ACCOMPANY PLANS DATED _____



Z-BAR ELEVATION

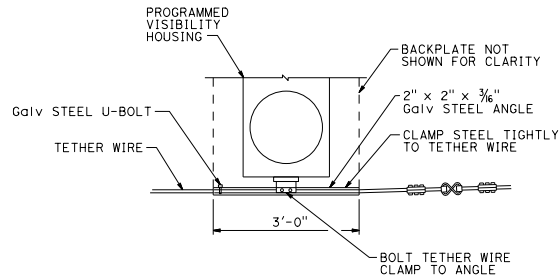


SIGNAL FACE SUPPORT EXPLODED VIEW

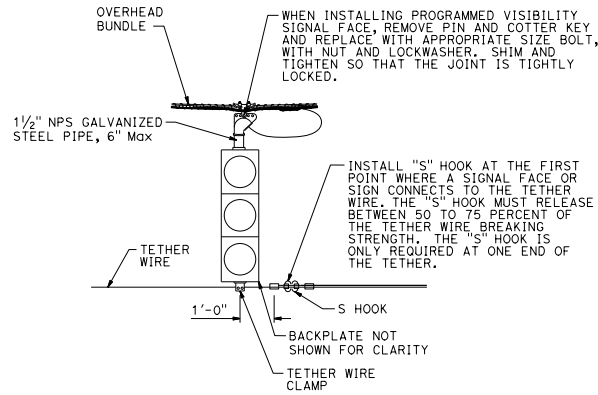
STATE OF CALIFORNIA
 DEPARTMENT OF TRANSPORTATION
TEMPORARY WOOD POLES
DETAILS No. 5
 NO SCALE

RSP ES-19E DATED JANUARY 20, 2017 SUPPLEMENTS THE STANDARD PLANS BOOK DATED 2015.

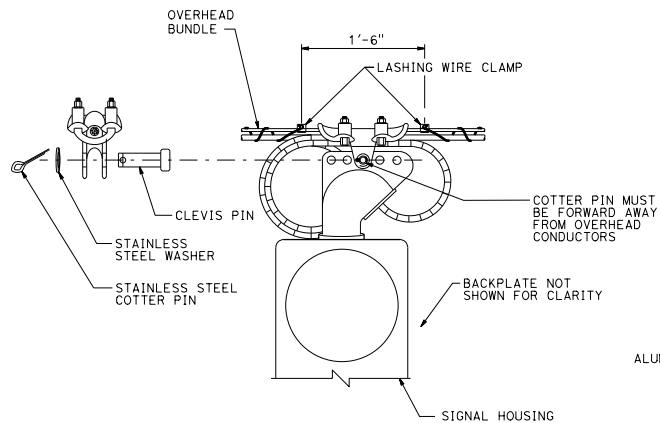
REVISED STANDARD PLAN RSP ES-19E



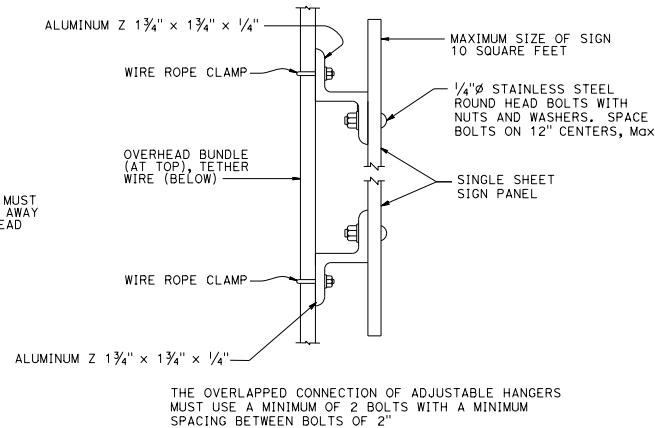
**TETHER WIRE ATTACHMENT FOR
PROGRAMMED VISIBILITY SIGNAL FACE**



SIGNAL FACE SUPPORT



**MESSENGER WIRE
CLAMP COTTER PIN DETAIL**



SIGN MOUNTING DETAIL

2015 REVISED STANDARD PLAN RSP ES-19E