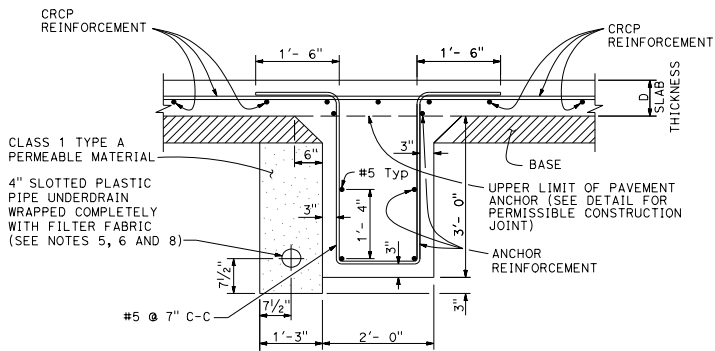
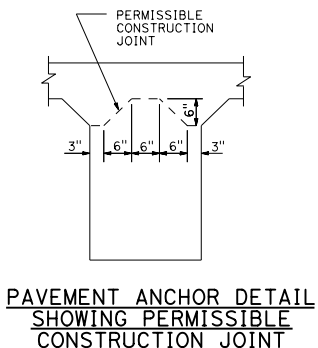


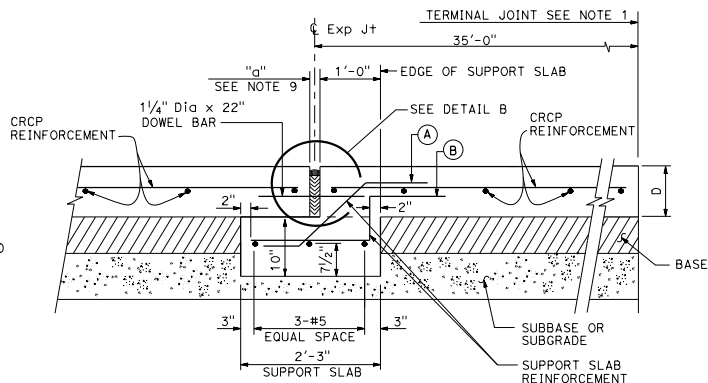
**PAVEMENT ANCHOR PROFILE**



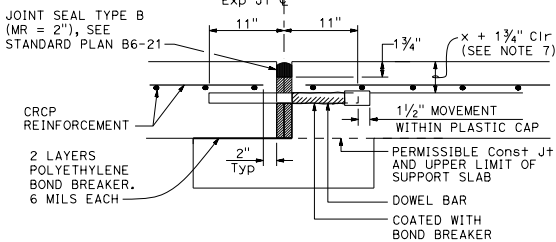
**PAVEMENT ANCHOR**



**PAVEMENT ANCHOR DETAIL SHOWING PERMISSIBLE CONSTRUCTION JOINT**

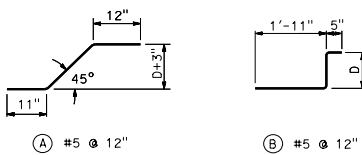


**EXPANSION JOINT TYPE AN**



**DETAIL B**

(For layout, tolerances, and other details not shown, see Standard Plan P10.)



**REINFORCEMENT DETAIL**

DIST	COUNTY	ROUTE	POST MILES TOTAL PROJECT	SHEET NO.	TOTAL SHEETS

*Flornie E. Baultista*  
 REGISTERED CIVIL ENGINEER  
 No. CS4859  
 Exp. 6-30-18  
 CIVIL  
 STATE OF CALIFORNIA

January 20, 2017  
 PLANS APPROVAL DATE  
 THE STATE OF CALIFORNIA OR ITS OFFICERS OR AGENTS SHALL NOT BE RESPONSIBLE FOR THE ACCURACY OR COMPLETENESS OF SCANNED COPIES OF THIS PLAN SHEET.

TO ACCOMPANY PLANS DATED \_\_\_\_\_

**NOTES:**

1. For the locations of the terminal joints, expansion joints and pavement anchors, see project plans.
2. The CRCP shall continue across the pavement anchor and expansion joints as shown.
3. Details of reinforcement, tie bars, and longitudinal joints (and if necessary, transverse construction joints) are shown on Revised Standard Plans RSP P4 and RSP P16.
4. Transverse construction joints are not allowed within 20'-0" of the pavement anchor.
5. When placing pipe through concrete barrier, use 4" unslotted plastic pipe wrapped completely with 3/8" polystyrene.
6. See Standard Plan P51 for details not shown.
7. See Revised Standard Plans RSP P4 for "x".
8. Place the 4" Slotted Plastic Pipe on the high side of the longitudinal grade.
9. See Standard Plan B6-21 for "a".

**ABBREVIATION:**

D = Thickness of CRCP

STATE OF CALIFORNIA  
DEPARTMENT OF TRANSPORTATION

**CONTINUOUSLY REINFORCED  
CONCRETE PAVEMENT-  
EXPANSION JOINT AND ANCHOR DETAILS**

NO SCALE

RSP P31B DATED JANUARY 20, 2017 SUPERSEDES STANDARD PLAN P31B  
DATED OCTOBER 30, 2015 - PAGE 152 OF THE STANDARD PLANS BOOK DATED 2015.

**REVISED STANDARD PLAN RSP P31B**

2015 REVISED STANDARD PLAN RSP P31B