

D16+	COUNTY	ROUTE	POST MILES TOTAL PROJECT	SHEET NO.	TOTAL SHEETS

B. Reza Valizadeh
REGISTERED CIVIL ENGINEER
No. C51902
EXP. 6-30-18
CIVIL

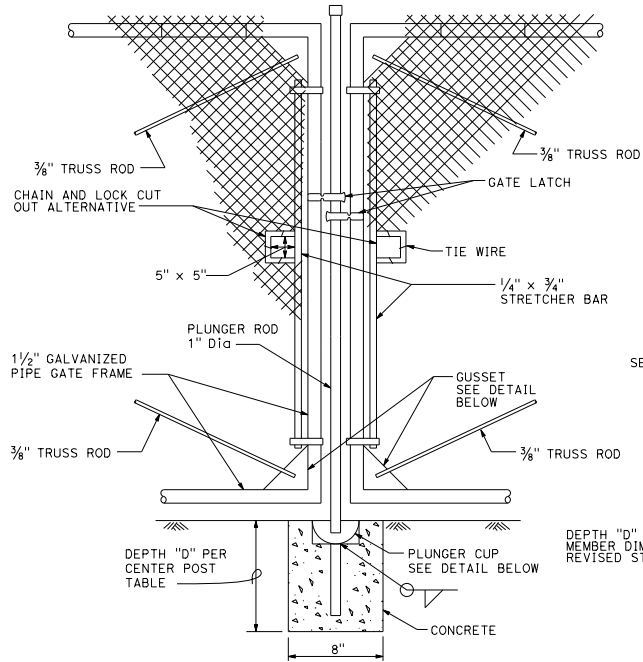
July 21, 2017
PLANS APPROVAL DATE

THE STATE OF CALIFORNIA OR ITS OFFICERS OR AGENTS SHALL NOT BE RESPONSIBLE FOR THE ACCURACY OR COMPLETENESS OF SCANNED COPIES OF THIS PLAN SHEET.

NOTES:

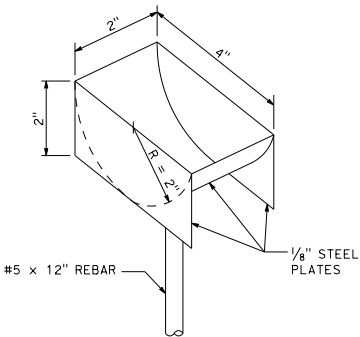
1. B is not less than 3 times maximum cross section of post with minimum of 8".
2. See Revised Standard Plan RSP A85 for Chain Link Fencing dimensions.
3. See Detail A on Standard Plan A86B for connection at headwall.
4. See Detail D on Standard Plan A86B for connection at headwall.

CENTER POST		
FENCE HEIGHT (Max)	SLATTED	D
ALL HEIGHTS	NO	1'-6"
5'-0"	YES	3'-0"
6'-0"	YES	3'-0"
8'-0"	YES	3'-6"
10'-0"	YES	4'-0"

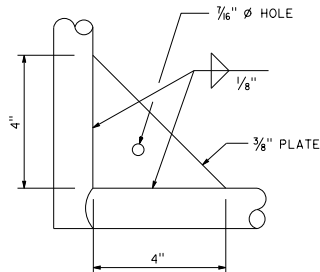


**DOUBLE GATE
REMOVABLE CENTER POST**

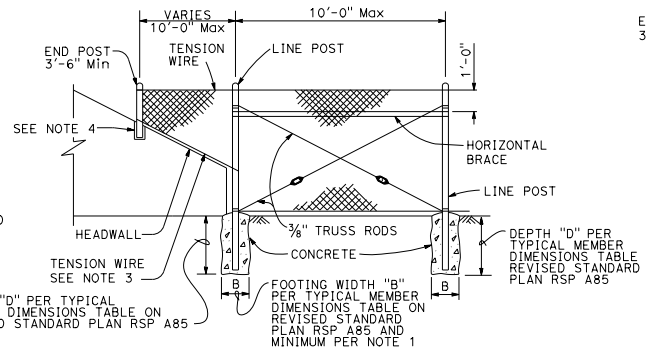
Each gate maximum width is 12'-0"



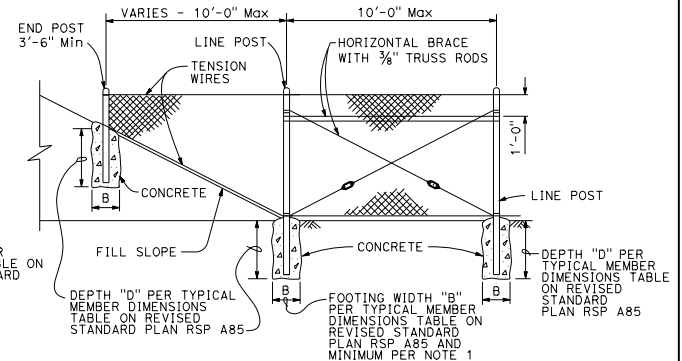
PLUNGER CUP DETAIL



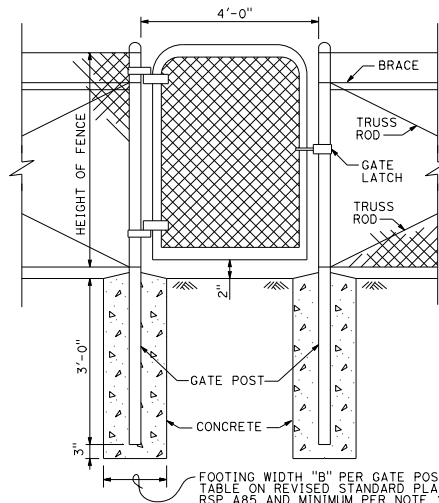
GUSSET DETAIL



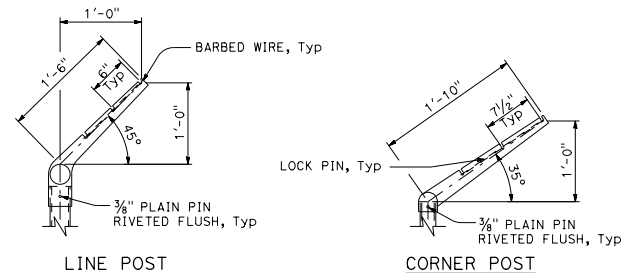
METHOD OF TYING FENCE TO HEADWALL



METHOD OF ERECTING FENCE FOR FILL SLOPE



WALK GATE



BARBED WIRE POST TOP

STATE OF CALIFORNIA
DEPARTMENT OF TRANSPORTATION

CHAIN LINK FENCE DETAILS

NO SCALE

RSP A85A DATED JULY 21, 2017 SUPERSEDES RSP A85A DATED JANUARY 20, 2017
AND RSP A85A DATED JULY 15, 2016 AND STANDARD PLAN A85A
DATED OCTOBER 30, 2015 - PAGE 118 OF THE STANDARD PLANS BOOK DATED 2015.

REVISED STANDARD PLAN RSP A85A

2015 REVISED STANDARD PLAN RSP A85A