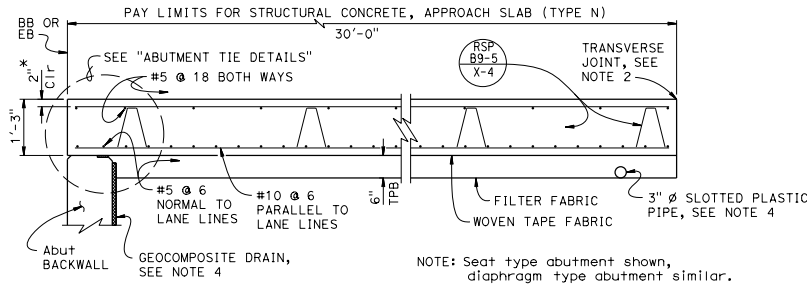


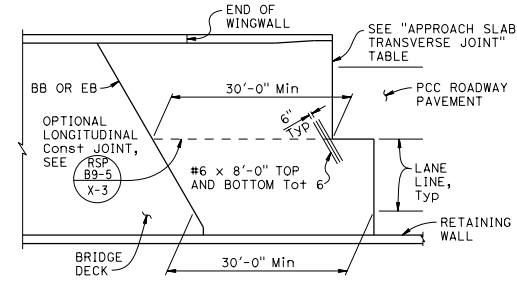
NOTE A:
Type E-1 Approach Slab shown, see RSP B9-5 X-2 for Type E-2 details.

PLAN

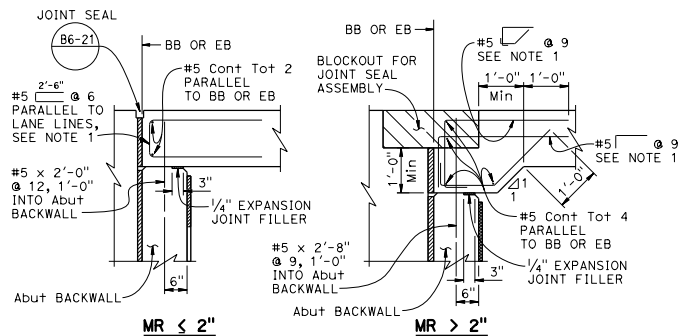


SECTION A-A

| APPROACH SLAB TRANSVERSE JOINT | | |
|--------------------------------|---------------------------------|--|
| APPROACH SKEW, x | WITH HMA ROADWAY PAVEMENT | WITH PCC ROADWAY PAVEMENT |
| $x < 20^\circ$ | PARALLEL TO BB OR EB | PARALLEL TO BB OR EB |
| $20^\circ < x < 45^\circ$ | PARALLEL TO BB OR EB RSP B9-5 A | STAGGER AT LANE LINES 24' TO 36' APART, SEE "END STAGGER DETAIL" |
| $x > 45^\circ$ | PARALLEL TO BB OR EB RSP B9-5 A | STAGGER AT EACH LANE LINE, SEE "END STAGGER DETAIL" |

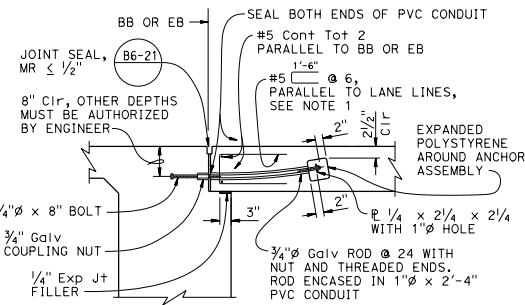


END STAGGER DETAIL



SEAT TYPE ABUTMENT

ABUTMENT TIE DETAILS



DIAPHRAGM TYPE ABUTMENT

LEGEND:

* - All approach slab reinforcement shall be epoxy coated and minimum top mat cover 2 1/2" in Freeze-Thaw Area.

NOTES:

1. For MR $\leq 2"$, adjust reinforcement to clear sawcut for sealed joint. For MR $> 2"$, reinforcement must be normal to BB or EB and spaced to avoid joint seal assembly anchorage.
2. Transverse Joint must be a minimum of 5'-0" from an existing or constructed weakened plane joint in approach PCC roadway pavement. Refer to Standard Plans P10 and P14.
3. At the Contractor's option, approach slab transverse reinforcement may be placed parallel to BB or EB. Spacing of transverse reinforcement is measured along ϵ roadway.
4. For structure approach drainage details, refer to Revised Standard Plan RSP B9-6.
5. For details not shown, refer to Revised Standard Plan RSP B9-5.

STATE OF CALIFORNIA
DEPARTMENT OF TRANSPORTATION
**STRUCTURE APPROACH
TYPE N (30)**
NO SCALE

RSP B9-1 DATED JULY 21, 2017 SUPPLEMENTS THE STANDARD PLANS BOOK DATED 2015.

REVISED STANDARD PLAN RSP B9-1

| | | | | |
|------|--------|-------|--------------------------|--------------------|
| DIST | COUNTY | ROUTE | POST MILES TOTAL PROJECT | SHEET TOTAL SHEETS |
| | | | | |

REGISTERED CIVIL ENGINEER
C.J. Sims
No. 046471
Exp. 6-30-19
REGISTERED PROFESSIONAL ENGINEER
CIVIL
STATE OF CALIFORNIA

July 21, 2017
PLANS APPROVAL DATE
THE STATE OF CALIFORNIA OR ITS OFFICERS OR AGENTS SHALL NOT BE RESPONSIBLE FOR THE ACCURACY OR COMPLETENESS OF SCANNED COPIES OF THIS PLAN SHEET.

TO ACCOMPANY PLANS DATED _____

2015 REVISED STANDARD PLAN RSP B9-1