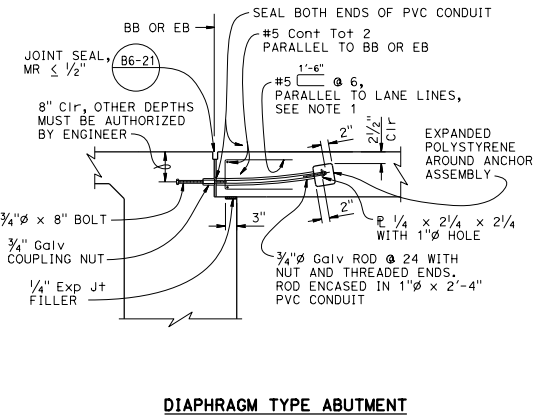
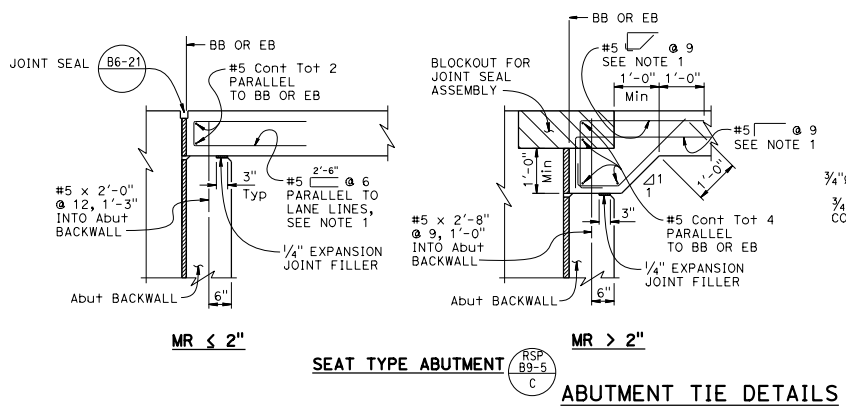


SECTION A-A



LEGEND:

* - All approach slab reinforcement shall be epoxy coated and minimum top mat cover 2 1/2" in Freeze-Thaw Area.

NOTES:

1. For $MR \leq 2''$, adjust reinforcement to clear sawcut for sealed joint. For $MR > 2''$, reinforcement must be normal to BB or EB and spaced to avoid joint seal assembly anchorage.
2. At the Contractor's option, approach slab transverse reinforcement may be placed parallel to BB or EB. Spacing of transverse reinforcement is measured along \perp roadway.
3. For details not shown, refer to Revised Standard Plan RSP B9-5.

Dist	COUNTY	ROUTE	POST MILES TOTAL PROJECT	SHEET TOTAL No. SHEETS

REGISTERED CIVIL ENGINEER
 July 21, 2017
 PLANS APPROVAL DATE
 C.J. Sims
 No. C46471
 Exp. 6-30-19
 CIVIL
 STATE OF CALIFORNIA

TO ACCOMPANY PLANS DATED _____

STATE OF CALIFORNIA
DEPARTMENT OF TRANSPORTATION
**STRUCTURE APPROACH
TYPE EQ (10)**
NO SCALE

RSP B9-4 DATED JULY 21, 2017 SUPPLEMENTS THE STANDARD PLANS BOOK DATED 2015.
REVISED STANDARD PLAN RSP B9-4

2015 REVISED STANDARD PLAN RSP B9-4