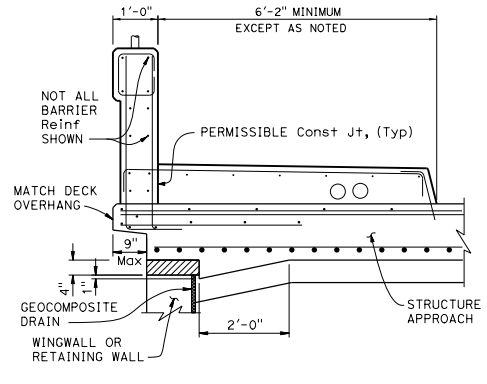


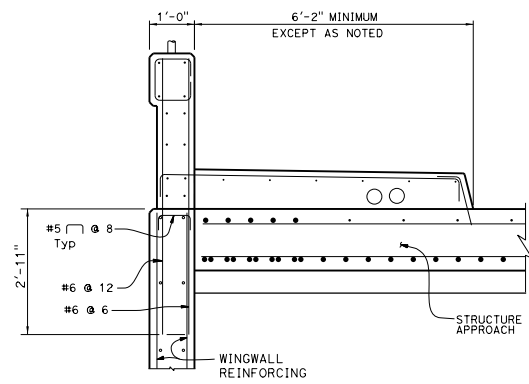
DIST	COUNTY	ROUTE	POST MILES TOTAL PROJECT	SHEET NO.	TOTAL SHEETS

REGISTERED CIVIL ENGINEER
Tillot Satter
No. C42892
PLANS APPROVAL DATE July 21, 2017
EXP. 3-31-18
CIVIL
STATE OF CALIFORNIA



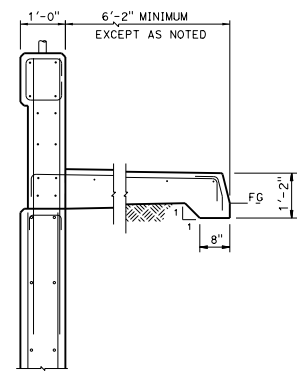
TYPE E-1
RSP B9-5

WITH STRUCTURE APPROACH



TYPE E-2
RSP B9-5

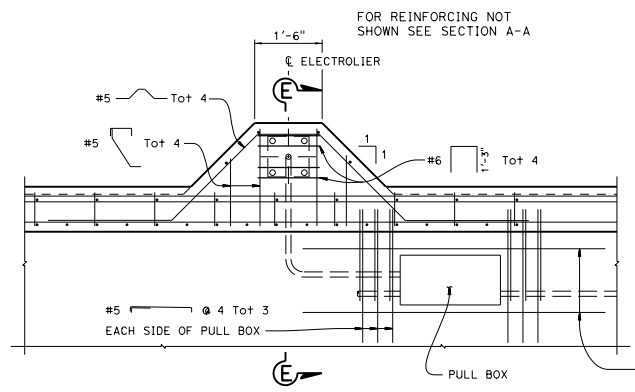
WITH STRUCTURE APPROACH



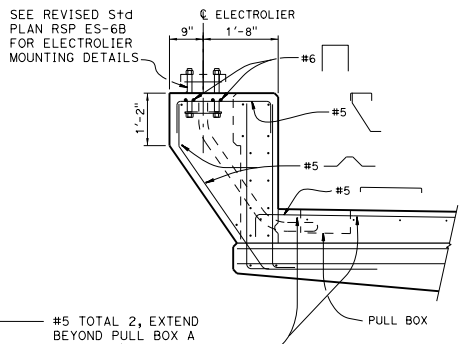
WITHOUT STRUCTURE APPROACH

SECTION C-C

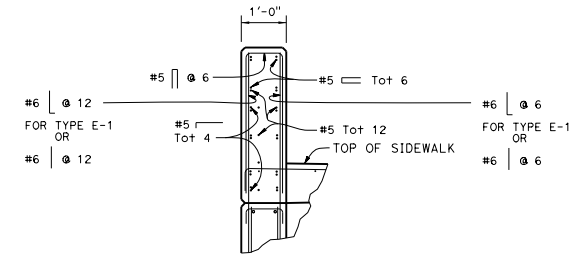
For details not shown see SECTION B-B



PEDESTAL PLAN



PEDESTAL DETAILS



NOTE:
FOR SIDEWALK, STRUCTURE APPROACH, WINGWALL
OR RETAINING WALL SEE SECTION C-C

SECTION D-D
END BLOCK

STATE OF CALIFORNIA
DEPARTMENT OF TRANSPORTATION
**CONCRETE BARRIER
TYPE 732SW
(SHEET 2 OF 2)**

NO SCALE
RSP B11-59 DATED JULY 21, 2017 SUPERSEDES RSP B11-59 DATED
JANUARY 20, 2017 THAT SUPPLEMENTS THE STANDARD PLANS BOOK DATED 2015.

REVISED STANDARD PLAN RSP B11-59

2015 REVISED STANDARD PLAN RSP B11-59