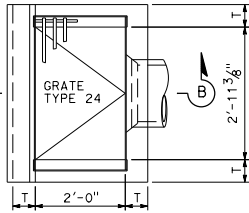
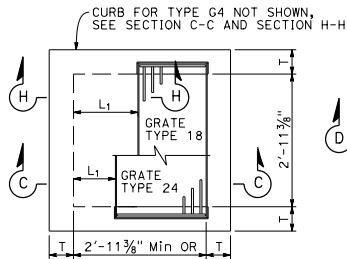


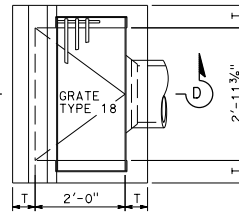
PLAN  
TYPE G1



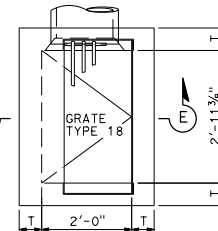
PLAN  
TYPE G3



PLAN  
STANDARD  
TYPE G2 OR G4



PLAN  
TYPE G5



PLAN  
TYPE G6

DIST	COUNTY	ROUTE	POST MILES TOTAL PROJECT	SHEET NO.	TOTAL SHEETS

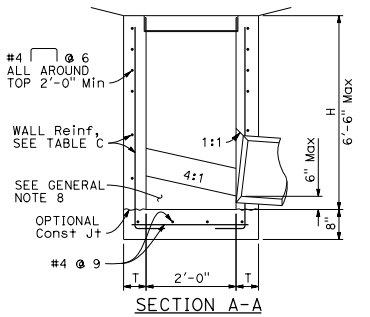
July 21, 2017  
 PLANS APPROVAL DATE  
 THE STATE OF CALIFORNIA OR ITS OFFICERS OR AGENTS SHALL NOT BE RESPONSIBLE FOR THE ACCURACY OR COMPLETENESS OF SCANNED COPIES OF THIS PLAN SHEET.

TO ACCOMPANY PLANS DATED \_\_\_\_\_

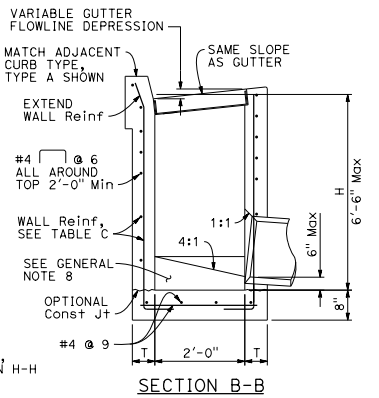
NOTES:

- For notes and Table 2, See Revised Standard Plan RSP D72C.
- For L<sub>1</sub> or L<sub>2</sub> greater than 2'-10", see Table 1 for wall thickness dimension and see Table C in Revised Standard Plan RSP D72G for reinforcement. Otherwise, see Table C in Revised Standard Plan RSP D72G for wall thickness and reinforcement.

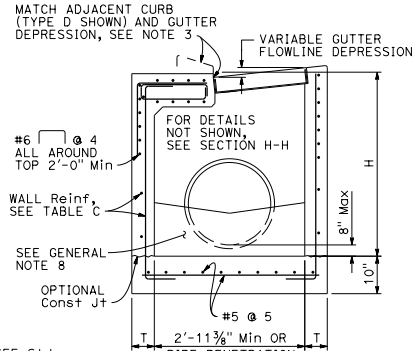
L <sub>1</sub> OR L <sub>2</sub> > 2'-10"	T
	12"



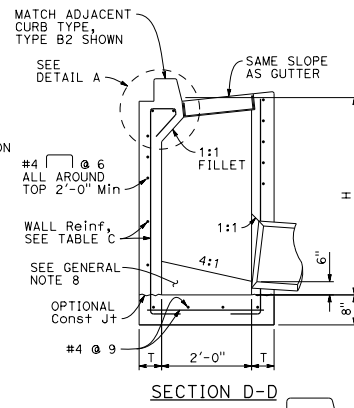
SECTION A-A



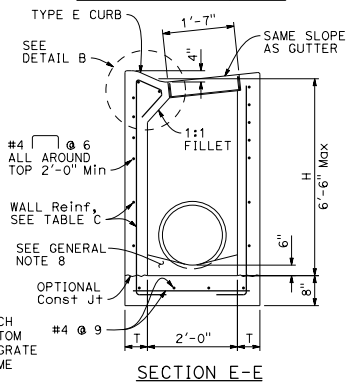
SECTION B-B



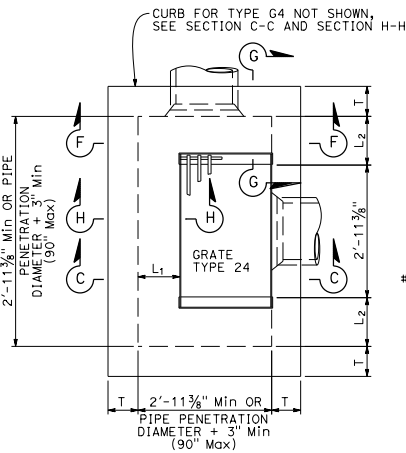
SECTION C-C



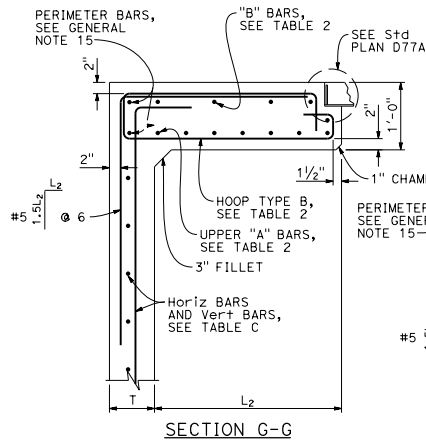
SECTION D-D



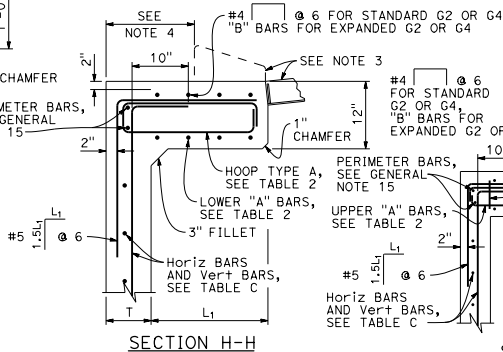
SECTION E-E



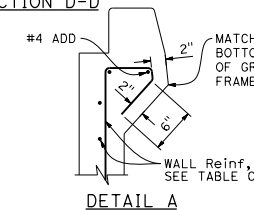
PLAN  
EXPANDED  
TYPE G2 OR G4



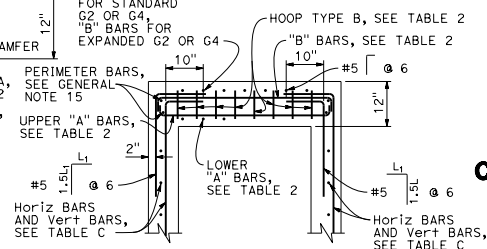
SECTION G-G



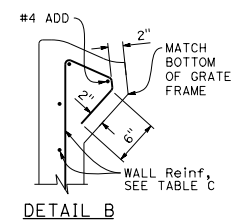
SECTION H-H



DETAIL A



SECTION F-F



DETAIL B

STATE OF CALIFORNIA  
DEPARTMENT OF TRANSPORTATION  
**CIP DRAINAGE INLETS  
TYPES G1, G2, G3,  
G4, G5 AND G6**  
NO SCALE

RSP D72B DATED JULY 21, 2017 SUPERSEDES RSP D72B  
DATED JULY 15, 2016 THAT SUPPLEMENTS THE STANDARD PLANS BOOK DATED 2015.  
**REVISED STANDARD PLAN RSP D72B**