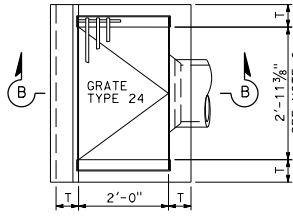
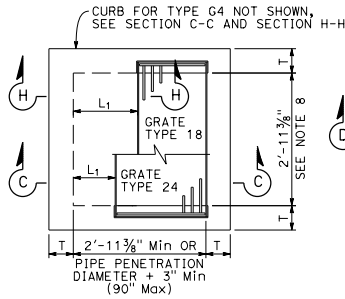


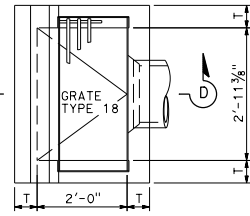
PLAN  
TYPE G1



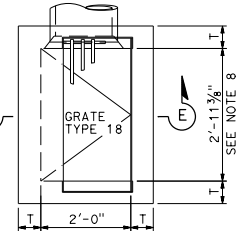
PLAN  
TYPE G3



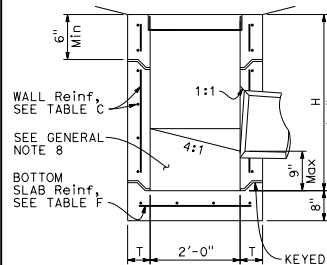
PLAN  
STANDARD TYPE G2 OR G4  
(INTEGRAL TOP ALTERNATIVE)  
FOR "L" AND "T" VALUES, SEE TABLE 1



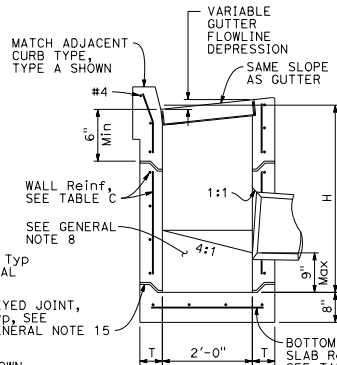
PLAN  
TYPE G5



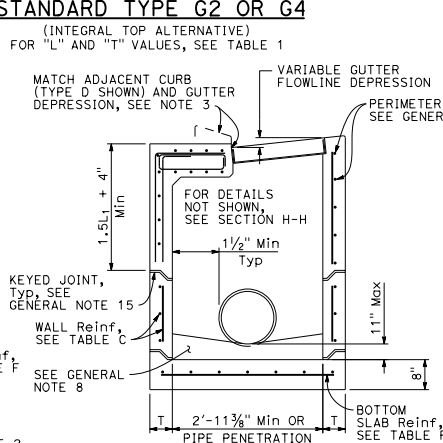
PLAN  
TYPE G6



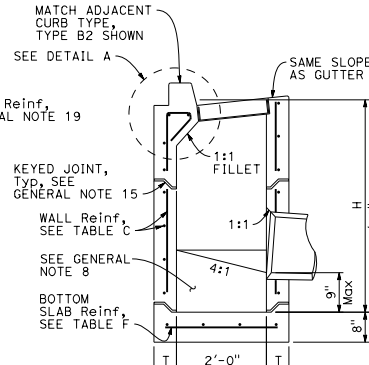
SECTION A-A



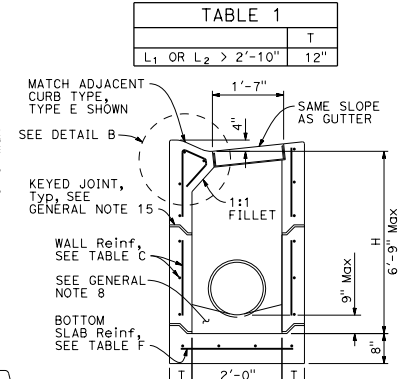
SECTION B-B



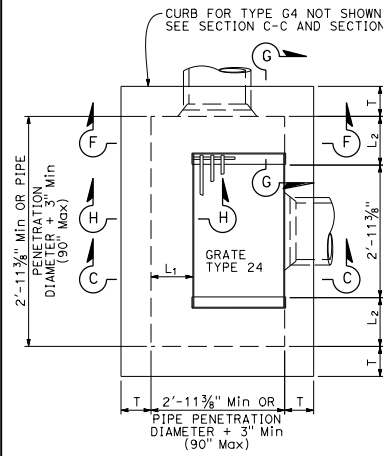
SECTION C-C  
FOR "L1", "L2" AND "T1" VALUES,  
SEE "TABLE 1"



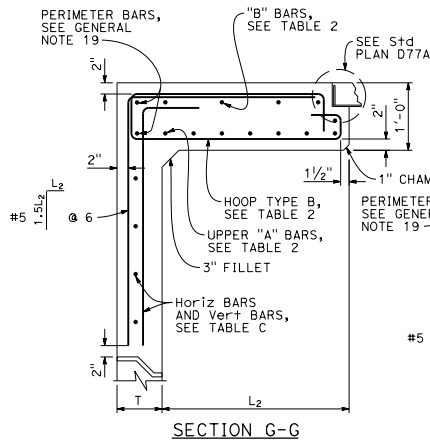
SECTION D-D



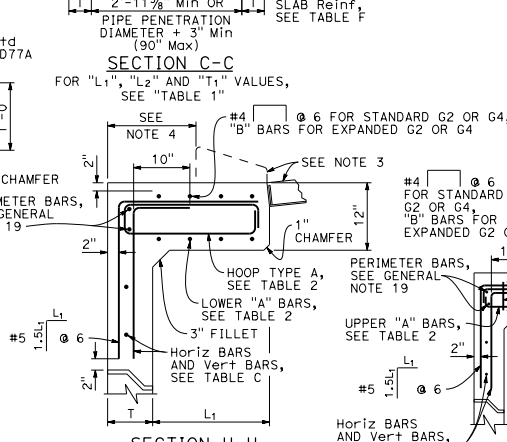
SECTION E-E



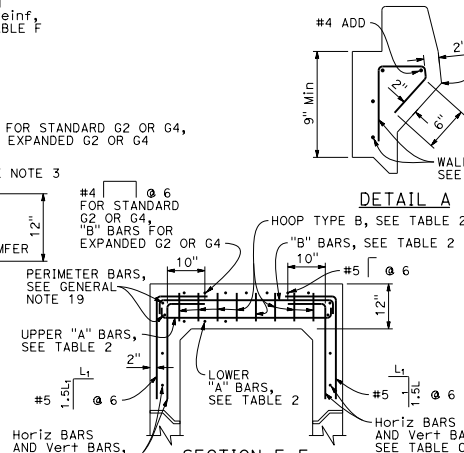
PLAN  
EXPANDED  
TYPE G2 OR G4



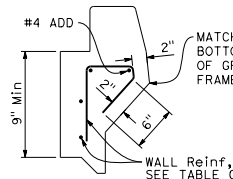
SECTION G-G



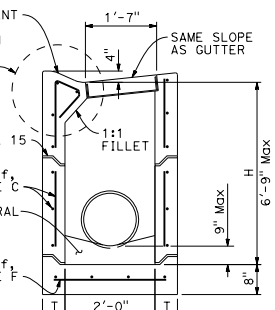
SECTION H-H



SECTION F-F



DETAIL A



DETAIL B

Dist	COUNTY	ROUTE	POST MILES TOTAL PROJECT	SHEET NO.	TOTAL SHEETS

REGISTERED CIVIL ENGINEER  
 July 21, 2017  
 PLANS APPROVAL DATE  
 THE STATE OF CALIFORNIA OR ITS OFFICERS OR AGENTS SHALL NOT BE RESPONSIBLE FOR THE ACCURACY OR COMPLETENESS OF SCANNED COPIES OF THIS PLAN SHEET.

- TO ACCOMPANY PLANS DATED \_\_\_\_\_
- NOTES:
- For notes and Table 2, See Revised Standard Plan RSP D73C.
  - For L<sub>1</sub> or L<sub>2</sub> greater than 2'-10", see Table 1 for wall thickness dimension and see Table C in Revised Standard Plan RSP D73G for reinforcement. Otherwise, see Table C in Revised Standard Plan RSP D73G for wall thickness and reinforcement.

L <sub>1</sub> OR L <sub>2</sub> > 2'-10"	T
12"	12"

STATE OF CALIFORNIA  
DEPARTMENT OF TRANSPORTATION

**PRECAST  
DRAINAGE INLETS  
TYPES G1, G2, G3,  
G4, G5 AND G6**

NO SCALE

RSP D73B DATED JULY 21, 2017 SUPERSEDES RSP D73B DATED JULY 15, 2016 THAT SUPPLEMENTS THE STANDARD PLANS BOOK DATED 2015.

**REVISED STANDARD PLAN RSP D73B**

2015 REVISED STANDARD PLAN RSP D73B