

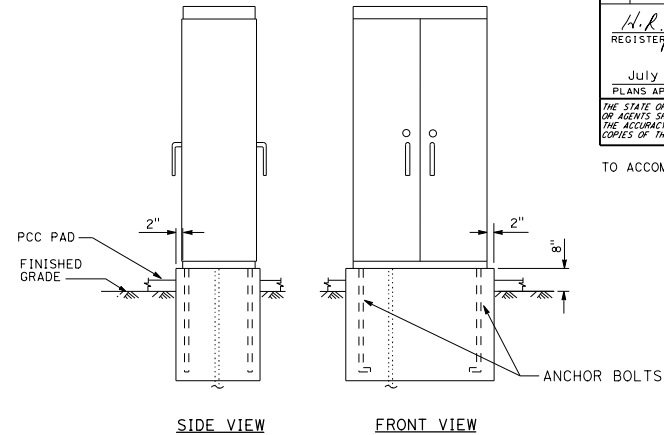
NOTES:

1. Controller units, plug-mounted equipment, shelf-mounted equipment and wall-mounted equipment shall be located to permit safe and easy removal or replacement without removing any other piece of equipment.
2. Cabinet fan may be installed at an alternate location near the top of the cabinet when approved by the Engineer.
3. Where telephone interconnect is required, a minimum of 5" clear vertical space shall be provided inside the cabinet for the equipment.
4. Telephone interconnect conductors shall be enclosed in a 3/4" or larger conduit through the foundation. Type 4 conduit shall be used to separate telephone and power conductors in cabinets.
5. Dimensions are nominal.
6. For Model 342LX, 344LX and 346LX cabinets details, see "Transportation Electrical Equipment Specifications".
7. Grounding electrode shall be placed 3 inches in front of the service conduit area.
8. Conduit area, to 120 V Service.
9. Conduit area for the controller side of cabinet.

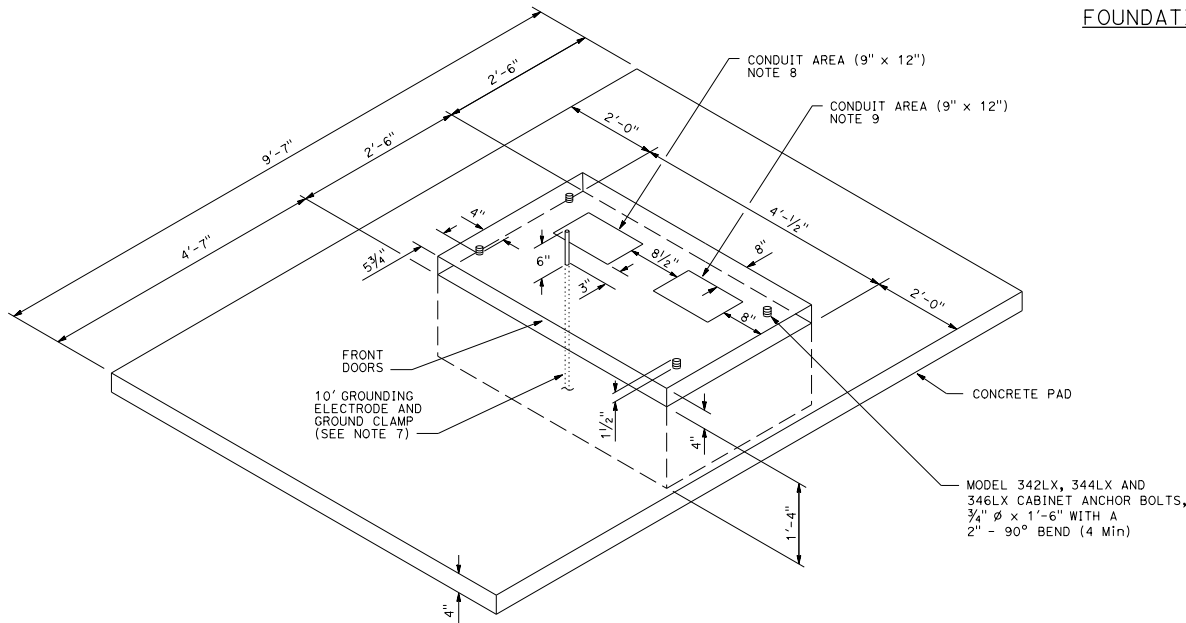
DIST	COUNTY	ROUTE	POST MILES TOTAL PROJECT	SHEET NO.	TOTAL SHEETS

H. R. F.
 REGISTERED ELECTRICAL ENGINEER
 Hamid Zolfaghari
 No. E15636
 Exp. 12-31-17
 ELECTRICAL ENGINEER
 STATE OF CALIFORNIA

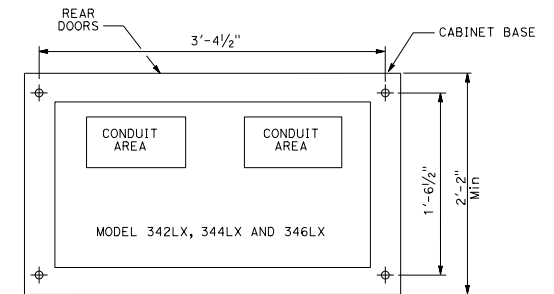
July 21, 2017
 PLANS APPROVAL DATE
 THE STATE OF CALIFORNIA OR ITS OFFICERS OR AGENTS SHALL NOT BE RESPONSIBLE FOR THE ACCURACY OR COMPLETENESS OF SCANNED COPIES OF THIS PLAN SHEET.



**FOUNDATION FOR TYPE LX CABINET
DETAIL A**



**FOUNDATION AND PAD DETAIL
Model 342LX, 344LX and 346LX
DETAIL B**



**BASE PLAN FOR THE MODEL
342LX, 344LX AND 346LX CABINET**

STATE OF CALIFORNIA
 DEPARTMENT OF TRANSPORTATION
**ELECTRICAL SYSTEMS
 (CONTROLLER CABINET
 FOUNDATION AND PAD DETAILS)**
 NO SCALE

RSP ES-3C1 DATED JULY 21, 2017 SUPPLEMENTS THE STANDARD PLANS BOOK DATED 2015.

REVISED STANDARD PLAN RSP ES-3C1

2015 REVISED STANDARD PLAN RSP ES-3C1