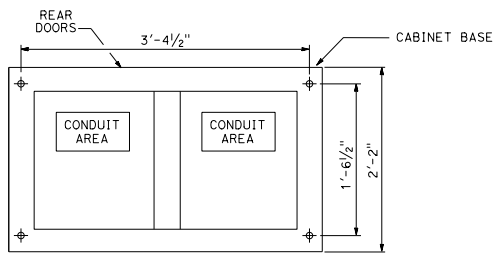


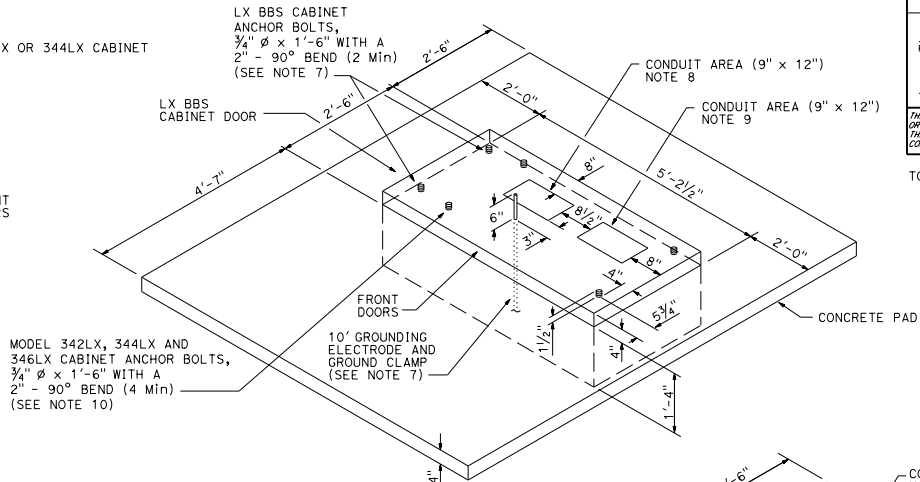
**LX BBS CABINET
MOUNTED TO THE
MODEL 342LX OR 344LX CABINET**



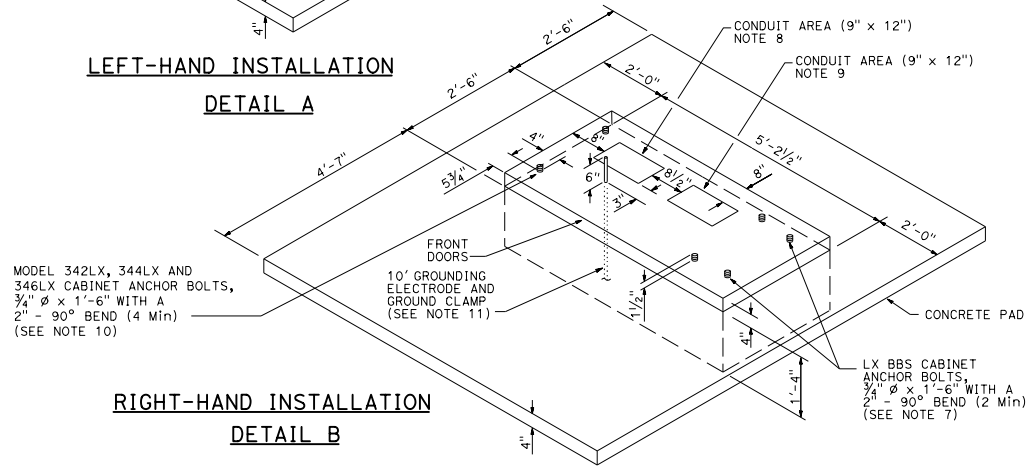
**BASE PLAN FOR MODEL
342LX OR 344LX CABINET**

NOTES:

1. Controller units, plug-mounted equipment, shelf-mounted equipment and wall-mounted equipment shall be located to permit safe and easy removal or replacement without removing any other piece of equipment.
2. Cabinet fan may be installed at an alternate location near the top of the cabinet when approved by the Engineer.
3. Where telephone interconnect is required, a minimum of 5" clear vertical space shall be provided inside the cabinet for the equipment.
4. Telephone interconnect conductors shall be enclosed in a 3/4" or larger conduit through the foundation. Type 4 conduit shall be used to separate telephone and power conductors in cabinets.
5. The LX BBS cabinet shall be mounted to the model 342LX or 344LX cabinet with four 18-8 stainless steel hex head, fully threaded, 3/4" x 16 x 1" bolts; two washers per bolt, designed for 3/8" bolts and are 18-8 stainless steel, 1" outside diameter, round, and flat; and one K-Lock nut per bolt that is 18-8 stainless steel and a hex-nut.



**LEFT-HAND INSTALLATION
DETAIL A**



**RIGHT-HAND INSTALLATION
DETAIL B**

6. All dimensions are nominal.
7. The dimensions of the BBS cabinet shall be verified prior to constructing the foundation of the Std model 342LX or 344LX cabinet foundation.
8. Conduit area, to 120 V Service.
9. Conduit area for the controller side of cabinet.
10. For Type LX cabinets details, see "Transportation Electrical Equipment Specifications".
11. Grounding electrode shall be placed 3 inches in front of the service conduit area.

**MODIFIED MODEL 342LX OR 344LX CABINET
FOUNDATION DETAIL FOR BATTERY BACKUP SYSTEM**

STATE OF CALIFORNIA
DEPARTMENT OF TRANSPORTATION
**ELECTRICAL SYSTEMS
(CONTROLLER CABINET
FOUNDATION DETAILS)**

NO SCALE

RSP ES-3C2 DATED JULY 21, 2017 SUPPLEMENTS THE STANDARD PLANS BOOK DATED 2015.

REVISED STANDARD PLAN RSP ES-3C2

DIST	COUNTY	ROUTE	POST MILES TOTAL PROJECT	SHEET NO.	TOTAL SHEETS

REGISTERED ELECTRICAL ENGINEER
Hamid Zolfaghari
No. E15636
Exp. 12-31-17
ELECTRICAL ENGINEER
STATE OF CALIFORNIA

PLANS APPROVAL DATE
July 21, 2017
THE STATE OF CALIFORNIA OR ITS OFFICERS OR AGENTS SHALL NOT BE RESPONSIBLE FOR THE ACCURACY OR COMPLETENESS OF SCANNED COPIES OF THIS PLAN SHEET.

TO ACCOMPANY PLANS DATED _____

2015 REVISED STANDARD PLAN RSP ES-3C2