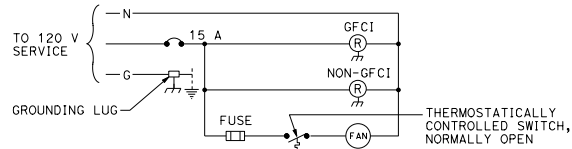


DIST	COUNTY	ROUTE	POST MILES TOTAL PROJECT	SHEET TOTAL SHEETS

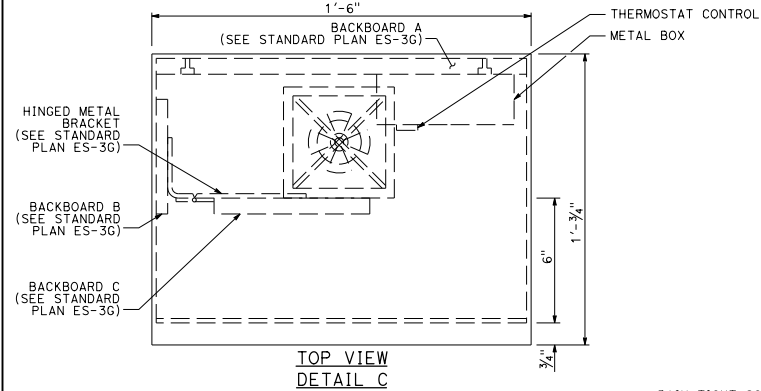
H. R. F.
 REGISTERED ELECTRICAL ENGINEER
 July 21, 2017
 PLANS APPROVAL DATE
 THE STATE OF CALIFORNIA OR ITS OFFICERS OR AGENTS SHALL NOT BE RESPONSIBLE FOR THE ACCURACY OR COMPLETENESS OF SCANNED COPIES OF THIS PLAN SHEET.

Hamid Zolfaghari
 No. E15636
 Exp. 12-31-17
 REGISTERED PROFESSIONAL ENGINEER
 ELECTRICAL
 STATE OF CALIFORNIA

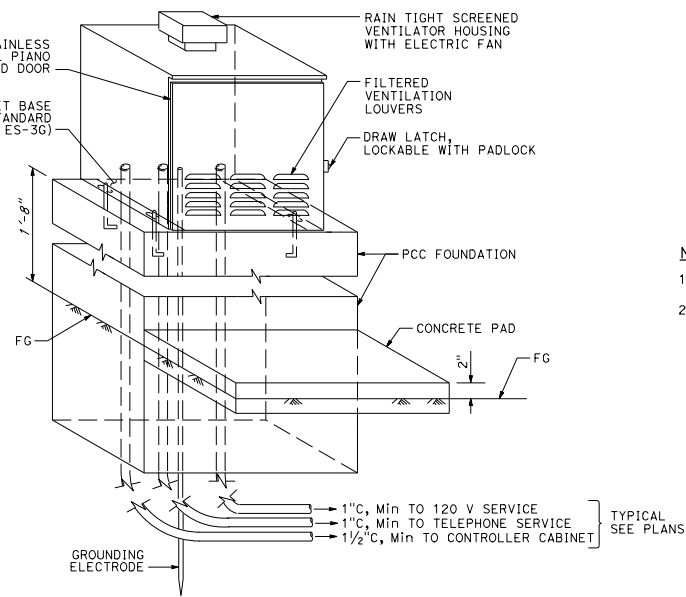
TO ACCOMPANY PLANS DATED _____



**WIRING DIAGRAM
DETAIL F**



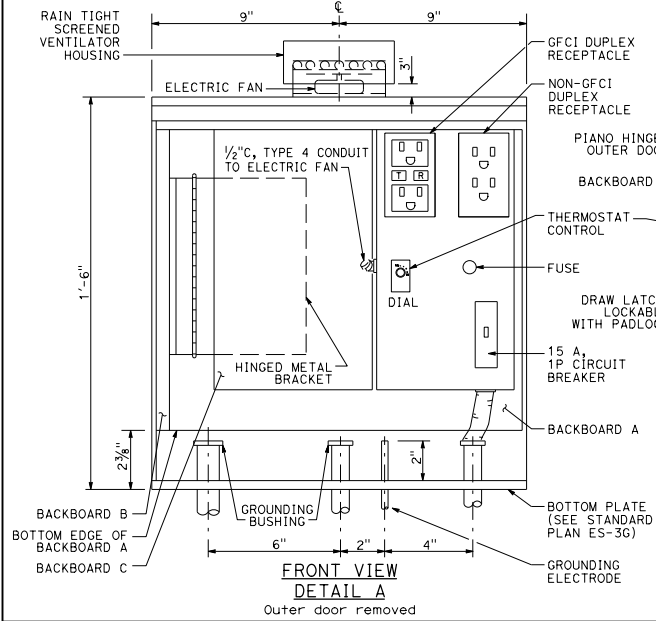
**TOP VIEW
DETAIL C**



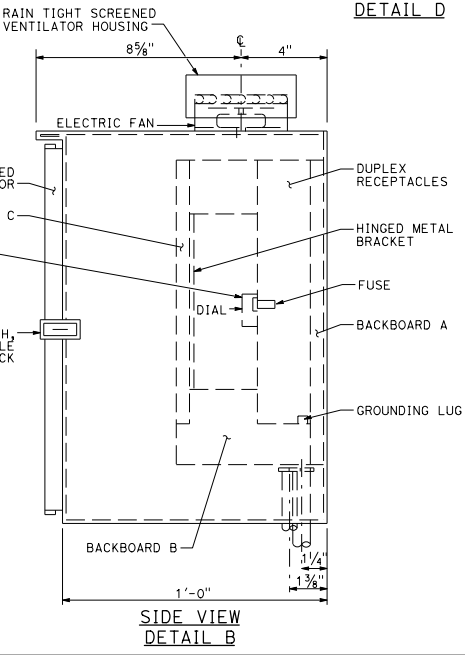
DETAIL D

NOTES:

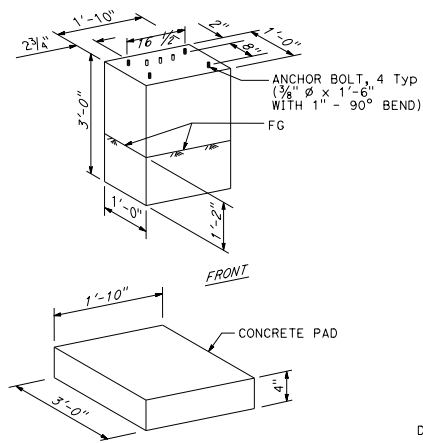
- Dimensions are nominal.
- Hardware for fastening of mounting boards:
 - Fasten backboard A and backboard B to telephone demarcation cabinet with $\frac{3}{16}$ " ϕ x $\frac{3}{4}$ " stainless steel carriage bolts (8 required).
 - Fasten hinged metal bracket to backboard B and backboard C to hinged metal bracket with number No. 10 x $\frac{3}{4}$ " wood screws (9 required).



**FRONT VIEW
DETAIL A**
Outer door removed



**SIDE VIEW
DETAIL B**



**CONCRETE PAD
FOUNDATION AND
PAD DETAILS
DETAIL E**

STATE OF CALIFORNIA
DEPARTMENT OF TRANSPORTATION
**ELECTRICAL SYSTEMS
(TELEPHONE DEMARCATION
CABINET, TYPE C)**

NO SCALE

RSP ES-3F DATED JULY 21, 2017 SUPERSEDES RSP ES-3F DATED APRIL 15, 2016 AND STANDARD PLAN ES-3F DATED OCTOBER 30, 2015 - PAGE 433 OF THE STANDARD PLANS BOOK DATED 2015.

REVISED STANDARD PLAN RSP ES-3F

2015 REVISED STANDARD PLAN RSP ES-3F