

D16+	COUNTY	ROUTE	POST MILES TOTAL PROJECT	SHEET TOTAL NO. SHEETS

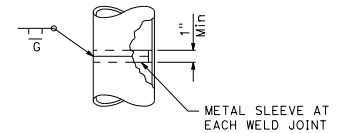
*Stanley P. Johnson*  
 REGISTERED CIVIL ENGINEER  
 No. CS1793  
 EXP. 3-31-18  
 CIVIL  
 STATE OF CALIFORNIA

July 21, 2017  
 PLANS APPROVAL DATE  
 THE STATE OF CALIFORNIA OR ITS OFFICERS  
 OR AGENTS SHALL NOT BE RESPONSIBLE FOR  
 THE ACCURACY OR COMPLETENESS OF SCANNED  
 COPIES OF THIS PLAN SHEET.

TO ACCOMPANY PLANS DATED \_\_\_\_\_

**NOTES:**

1. For slip base plate details, see Standard Plan ES-6F.
2. For Type 30 fixed base use Type 15 base plate and foundation shown on Revised Standard Plan RSP ES-6A. Use 1/4" Dia x 3'-6" anchor bolts.
3. For Type 31 fixed base use Type 32 base plate, anchor bolts and foundation on Revised Standard Plan RSP ES-6G.
4. Handhole shall be located on the downstream side of traffic.
5. For additional notes and details, see Revised Standard Plans RSP ES-7M and RSP ES-7N.



**POLE SPLICE  
DETAIL D**

POLE TYPE	POLE DATA				CIDH PILE FOUNDATION	
	A HEIGHT	Min OD BASE	Min OD TOP	Min THICKNESS	Diq	DEPTH
30	35'-0"	8 3/4"	3 3/8"	0.1196"	2'-6"	7'-0"
31		10 3/4"	5 1/8"	0.1793"	3'-0"	8'-0"

STATE OF CALIFORNIA  
DEPARTMENT OF TRANSPORTATION  
**ELECTRICAL SYSTEMS  
(LIGHTING STANDARD,  
TYPES 30 AND 31)**

NO SCALE

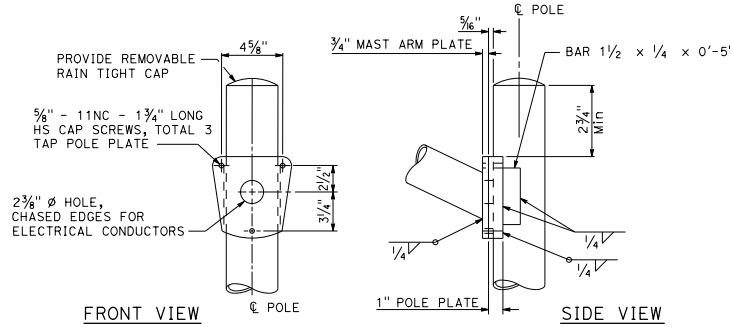
RSP ES-6E DATED JULY 21, 2017 SUPERSEDES RSP ES-6E DATED JULY 15, 2016 AND STANDARD PLAN ES-6E DATED OCTOBER 30, 2015 - PAGE 453 OF THE STANDARD PLANS BOOK DATED 2015.

**REVISED STANDARD PLAN RSP ES-6E**

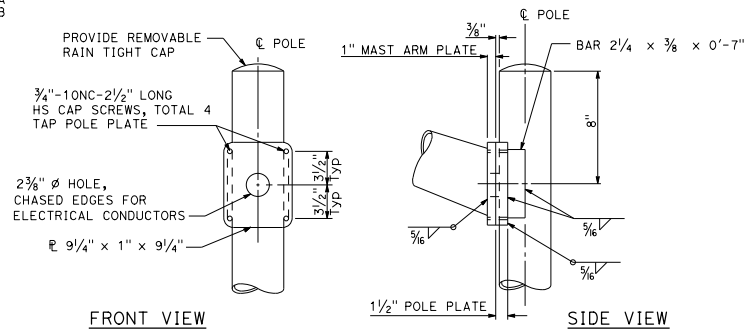
2015 REVISED STANDARD PLAN RSP ES-6E

PROJECTED LENGTH	THICKNESS	MINIMUM OD AT POLE	MOUNTING HEIGHT
* 6'-0"	0.1196"	3 1/4"	36'-9"±
* 8'-0"		3 1/2"	37'-3"±
* 10'-0"		3 3/8"	38'-0"±
* 12'-0"		3 7/8"	39'-0"±
* 15'-0"	4 1/4"	39'-6"±	
** 20'-0"	0.1793"	5"	37'-0"±

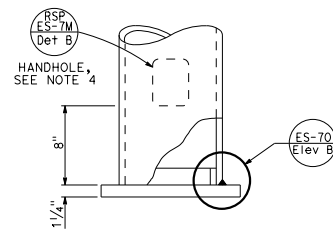
\* TYPE 30  
\*\* TYPE 31



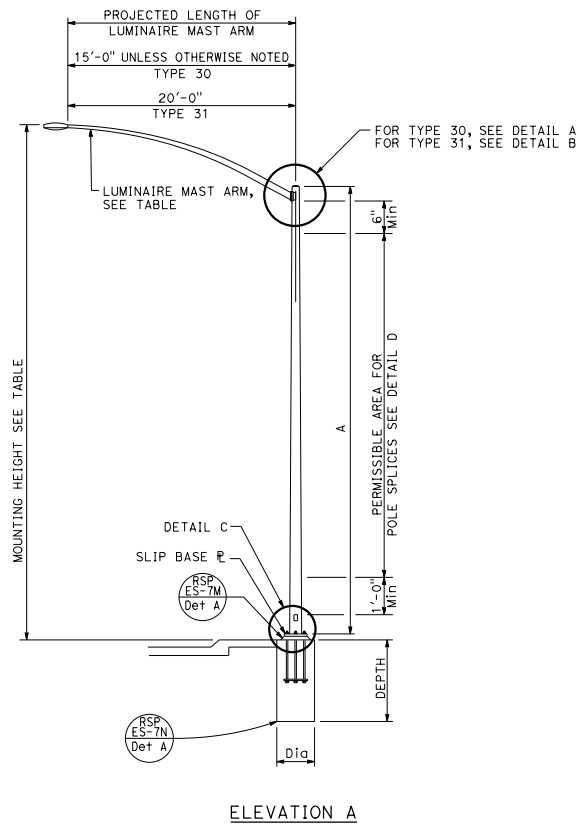
**TYPE 30  
DETAIL A**



**TYPE 31  
DETAIL B**



**DETAIL C**



**ELEVATION A**