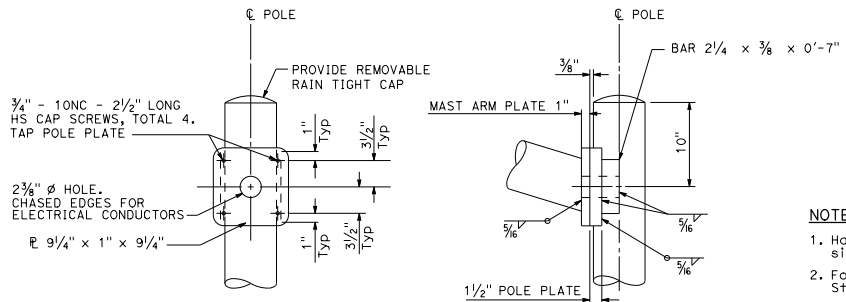


ELEVATION A

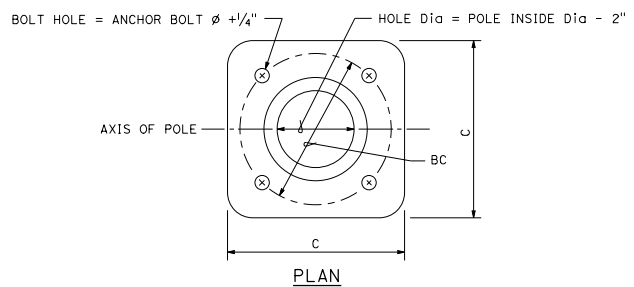
POLE TYPE	POLE DATA				BASE PLATE DATA			CIDH PILE FOUNDATION		
	A HEIGHT	Min OD BASE	TOP	Min THICKNESS	C	BC = BOLT CIRCLE	THICKNESS	ANCHOR BOLT SIZE	Di _a	DEPTH
32	35'-0"	10 3/4"	5 1/8"	0.1793"	1'-5"	1'-3"	2"	1 1/2" ϕ x 42"	3'-0"	8'-0"



FRONT VIEW

SIDE VIEW

DETAIL A



**BASE PLATE DETAIL
DETAIL C**

DIST	COUNTY	ROUTE	POST MILES TOTAL PROJECT	SHEET NO.	TOTAL SHEETS

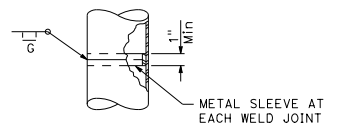
Stanley P. Johnson
 REGISTERED CIVIL ENGINEER
 No. CS1793
 EXP. 3-31-18
 CIVIL
 STATE OF CALIFORNIA

July 21, 2017
 PLANS APPROVAL DATE
 THE STATE OF CALIFORNIA OR ITS OFFICERS OR AGENTS SHALL NOT BE RESPONSIBLE FOR THE ACCURACY OR COMPLETENESS OF SCANNED COPIES OF THIS PLAN SHEET.

TO ACCOMPANY PLANS DATED _____

NOTES:

1. Handhole shall be located on the downstream side of traffic.
2. For additional notes and details, see Revised Standard Plans RSP ES-7M and RSP ES-7N.



**POLE SPLICE
DETAIL B**

STATE OF CALIFORNIA
DEPARTMENT OF TRANSPORTATION
**ELECTRICAL SYSTEMS
(LIGHTING STANDARD,
TYPE 32)**

NO SCALE

RSP ES-6G DATED JULY 21, 2017 SUPERSEDES RSP ES-6G DATED JULY 15, 2016 AND STANDARD PLAN ES-66 DATED OCTOBER 30, 2015 - PAGE 455 OF THE STANDARD PLANS BOOK DATED 2015.

REVISED STANDARD PLAN RSP ES-6G

2015 REVISED STANDARD PLAN RSP ES-6G