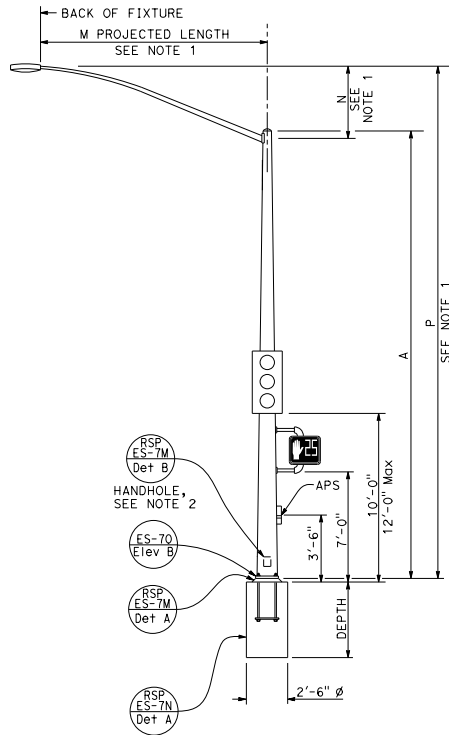


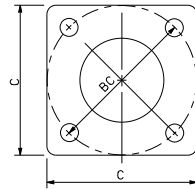
NOTES:

1. For additional notes, details and data for Type 15TS and Type 21TS Standards, see Revised Standard Plan RSP ES-6A.
2. Handhole shall be located on the downstream side of traffic.

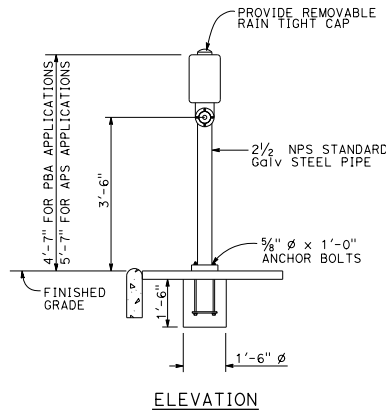


TYPE 15TS AND 21TS STANDARD
ELEVATION A
(See Note 1)

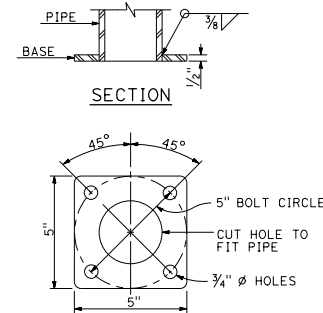
- RSP ES-7M Det B
- HANDHOLE, SEE NOTE 2
- ES-70 Elev B
- RSP ES-7M Det A
- RSP ES-7N Det A



BASE PLATE
TYPE 15TS AND 21TS
DETAIL A



PUSH BUTTON ASSEMBLY POST
DETAIL B



BASE PLATE
PBA POST

DIST	COUNTY	ROUTE	POST MILES TOTAL PROJECT	SHEET TOTAL SHEETS

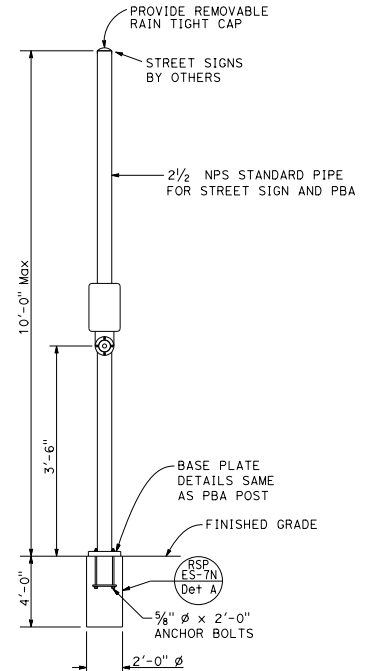
Stanley P. Johnson
REGISTERED CIVIL ENGINEER

July 21, 2017
PLANS APPROVAL DATE

Stanley P. Johnson
No. CS1793
EXP. 3-31-18
CIVIL
REGISTERED PROFESSIONAL ENGINEER
STATE OF CALIFORNIA

THE STATE OF CALIFORNIA OR ITS OFFICERS OR AGENTS SHALL NOT BE RESPONSIBLE FOR THE ACCURACY OR COMPLETENESS OF SCANNED COPIES OF THIS PLAN SHEET.

TO ACCOMPANY PLANS DATED _____



COMBINED STREET SIGN
PUSH BUTTON ASSEMBLY POST
DETAIL C

POLE TYPE	POLE DATA				BASE PLATE DATA				CIDH
	A HEIGHT	Min OD	WALL THICKNESS	DEPTH	C	BC = BOLT CIRCLE	THICKNESS	ANCHOR BOLT SIZE	
15TS	30'-0"	8"	3 1/8"	0.1793"	1'-1 1/2"	1'-0"	2"	1 1/2" ϕ x 42"	7'-6"
21TS	35'-0"	9 3/8"	3 3/8"		1'-3"	1'-2"			8'-6"

STATE OF CALIFORNIA
DEPARTMENT OF TRANSPORTATION

ELECTRICAL SYSTEMS
(SIGNAL AND LIGHTING STANDARD, TYPE TS,
AND PUSH BUTTON ASSEMBLY POST)

NO SCALE

RSP ES-7A DATED JULY 21, 2017 SUPERSEDES RSP ES-7A DATED JULY 15, 2016 AND STANDARD PLAN ES-7A DATED OCTOBER 30, 2015 - PAGE 456 OF THE STANDARD PLANS BOOK DATED 2015.

REVISED STANDARD PLAN RSP ES-7A

2015 REVISED STANDARD PLAN RSP ES-7A