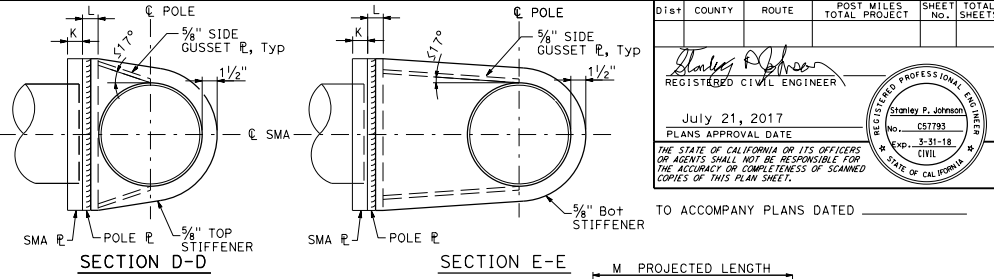


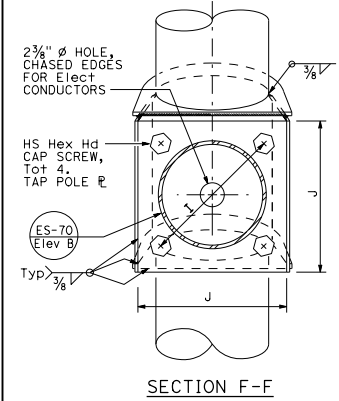
**TYPE 60-5-100**  
ELEVATION A

SECTION F-F

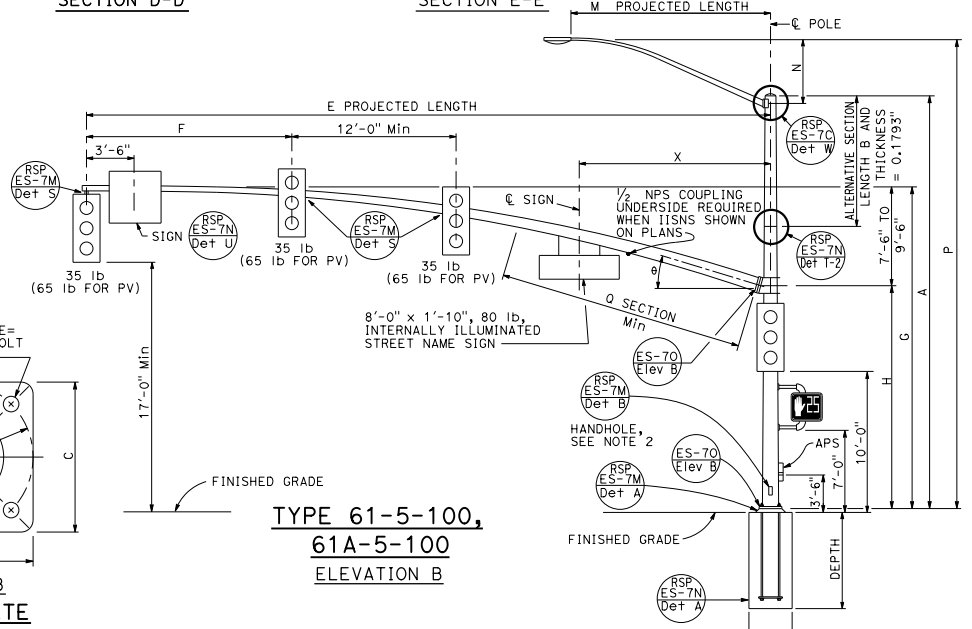


SECTION D-D

SECTION E-E



DETAIL B  
BASE PLATE



**TYPE 61-5-100,**  
**61A-5-100**  
ELEVATION B

E PROJECTED LENGTH	F Min SPACING	G MOUNTING HEIGHT	H	Min OD AT POLE	THICKNESS	I BOLT CIRCLE	HS CAP SCREWS	J PLATE SIZE	K MAST ARM THICKNESS	L POLE THICKNESS	θ	Q SECTION LENGTH	Q SECTION THICKNESS	X Max
60'-0"	15'-0"	23'-7" TO 25'-7"	16'-0"	1'-1 1/2"	0.1793" 0.2391"	20"	1 1/2"-6NC-4"	2'-0"	2"	2"	15°	24'-0" 29'-0"	0.2391" 0.3125"	14'-0"

M PROJECTED LENGTH	N RISE	Min OD AT POLE	THICKNESS	P MOUNTING HEIGHT
6'-0"	2'-0"±	3/4"	0.1196"	30'-0" POLE 35'-0" POLE
8'-0"	2'-6"±	3/2"		31'-6"± 36'-6"±
10'-0"	3'-3"±	3 3/8"		32'-0"± 37'-0"±
12'-0"	4'-3"±	4"		32'-9"± 37'-9"±
15'-0"	4'-9"±	4 1/4"		33'-9"± 38'-9"± 34'-3"± 39'-3"±

POLE TYPE	LOAD CASE	WIND VELOCITY (mph)	POLE DATA				BASE PLATE DATA				LUMINAIRE MAST ARM	SIGNAL MAST ARM	CIDH PILE FOUNDATION				
			A HEIGHT	Min OD BASE	Min OD TOP	THICKNESS	ALTERNATIVE SECTION B LENGTH	ALTERNATIVE SECTION TOP	C	BC BOLT CIRCLE			THICKNESS	ANCHOR BOLT SIZE	Dia	DEPTH	
60-5-100	5	100	17'-0"	22"	19 3/4"	0.375"			2'-6"	2'-4"		NONE	60'-0"	4'-0"	14'-0"		
61-5-100			30'-0"	25"	20 3/4"		10'-0"	22 1/8"	20 3/4"	2'-11"	2'-9"	3"	3"ø x 60"	6'-15' [15'-0"]	[65'-0"]	4'-6"	15'-0"
61A-5-100			35'-0"		20"		15'-0"										

□ INDICATES MAST ARM LENGTH TO BE USED UNLESS OTHERWISE NOTED ON PLANS.

- NOTES:**
- The radial separation between the face of the pole and the adjacent insides of the top and bottom gusset plates shall not exceed 1/16". Fillet weld size to be increased by amount of gap.
  - Handhole shall be located on the downstream side of traffic.

STATE OF CALIFORNIA  
DEPARTMENT OF TRANSPORTATION

**ELECTRICAL SYSTEMS**  
**(SIGNAL AND LIGHTING STANDARD,**  
**CASE 5 SIGNAL MAST ARM LOADING,**  
**WIND VELOCITY=100 MPH AND SIGNAL**  
**MAST ARM LENGTHS 60' TO 65')**

NO SCALE

RSP ES-7H DATED JULY 21, 2017 SUPERSEDES RSP ES-7H DATED JANUARY 20, 2017 AND RSP ES-7H DATED JULY 15, 2016 AND STANDARD PLAN ES-7H DATED OCTOBER 30, 2015 - PAGE 463 OF THE STANDARD PLANS BOOK DATED 2015.

**REVISED STANDARD PLAN RSP ES-7H**

DIST	COUNTY	ROUTE	POST MILES TOTAL PROJECT	SHEET TOTAL SHEETS

Stanley P. Johnson  
REGISTERED CIVIL ENGINEER  
No. C61793  
EXPIRES 3-31-18  
STATE OF CALIFORNIA

PLANS APPROVAL DATE  
July 21, 2017

TO ACCOMPANY PLANS DATED \_\_\_\_\_

2015 REVISED STANDARD PLAN RSP ES-7H