

Dist	COUNTY	ROUTE	POST MILES TOTAL PROJECT	SHEET NO.	TOTAL SHEETS

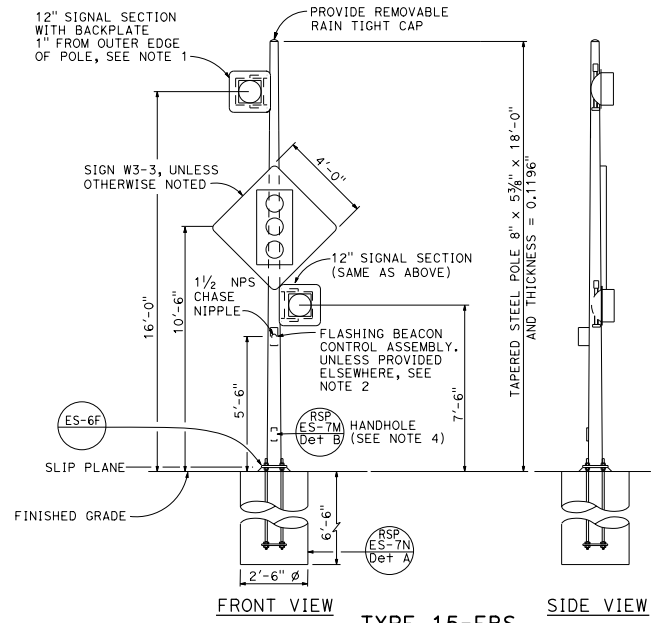
Stanley P. Johnson
 REGISTERED CIVIL ENGINEER
 No. C61793
 Exp. 3-31-18
 CIVIL
 STATE OF CALIFORNIA

July 21, 2017
 PLANS APPROVAL DATE
 THE STATE OF CALIFORNIA OR ITS OFFICERS
 OR AGENTS SHALL NOT BE RESPONSIBLE FOR
 THE ACCURACY OR COMPLETENESS OF SCANNED
 COPIES OF THIS PLAN SHEET.

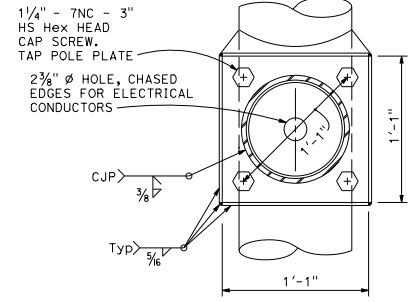
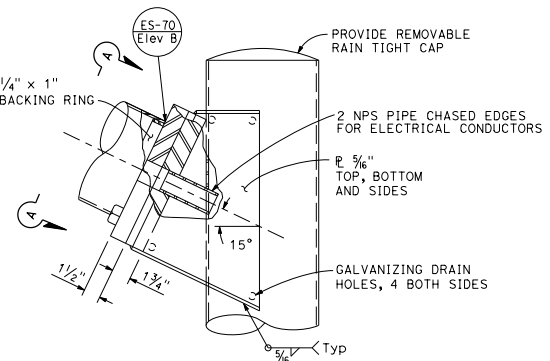
TO ACCOMPANY PLANS DATED _____

NOTES:

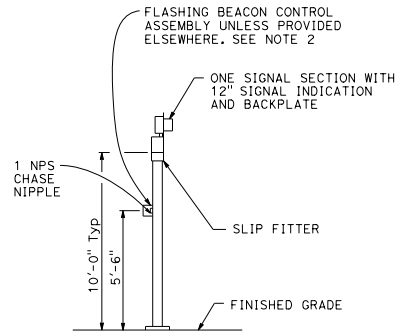
1. See Standard Plans ES-4A and ES-4D for attachment fitting details.
2. For wiring diagram, see Revised Standard Plan RSP ES-14B.
3. For additional notes and details, see Revised Standard Plans RSP ES-7M and RSP ES-7N.
4. Handhole shall be located on the downstream side of traffic.
5. See project plans for type of standard to be installed.



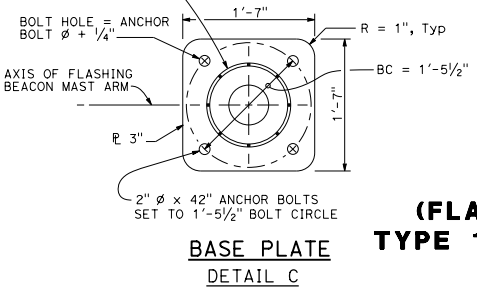
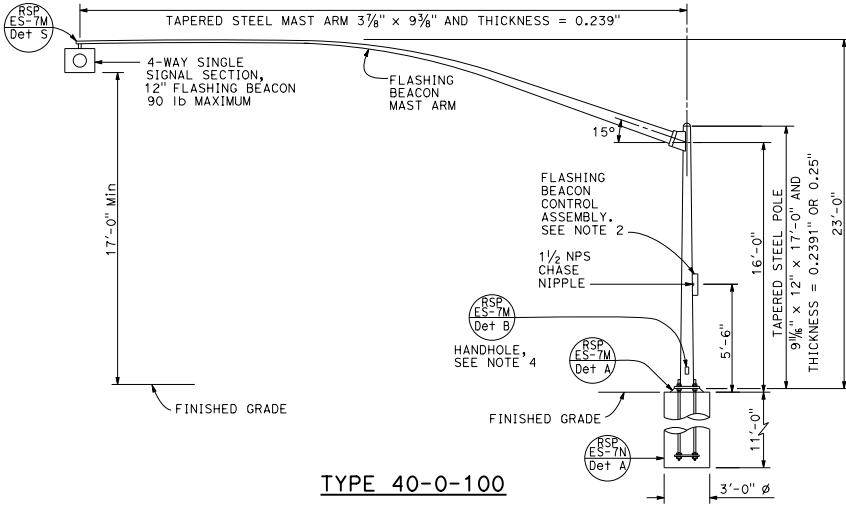
TYPE 15-FBS
FLASHING BEACON WITH SLIP BASE INSTALLATION
DETAIL A



FLASHING BEACON MAST ARM CONNECTION DETAIL
DETAIL B



TYPE 1-A, 1-B, 1-C, AND 1-D
FLASHING BEACON INSTALLATION
DETAIL D
See Note 5



STATE OF CALIFORNIA
DEPARTMENT OF TRANSPORTATION

ELECTRICAL SYSTEMS
(FLASHING BEACON ON A TYPE 1, TYPE 15-FBS, AND TYPE 40 STANDARD)
NO SCALE

RSP ES-7J DATED JULY 21, 2017 SUPERSEDES RSP ES-7J DATED JULY 15, 2016 AND RSP ES-7J DATED APRIL 15, 2016 AND STANDARD PLAN ES-7J DATED OCTOBER 30, 2015 - PAGE 464 OF THE STANDARD PLANS BOOK DATED 2015.

REVISED STANDARD PLAN RSP ES-7J

2015 REVISED STANDARD PLAN RSP ES-7J