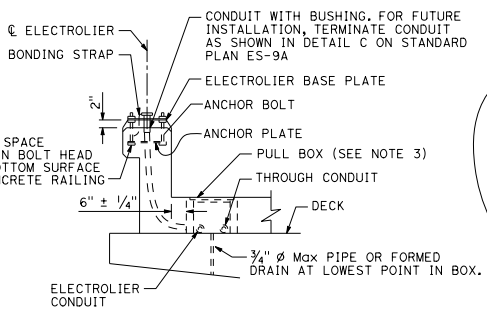


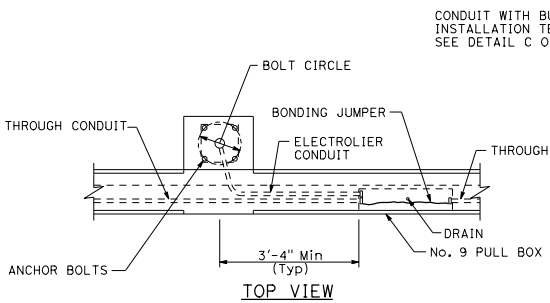
TOP VIEW

No. 3 1/2, 5, OR 6 PULL BOX INSTALLATION

DETAIL A



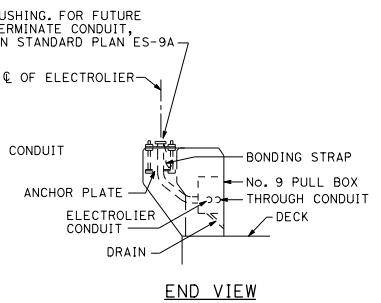
END VIEW



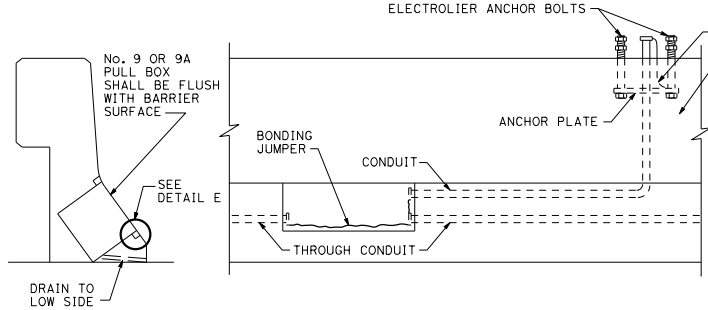
TOP VIEW

No. 9 PULL BOX INSTALLATION

DETAIL B

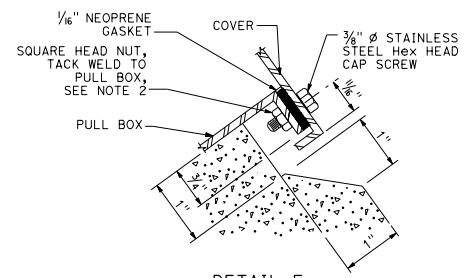


END VIEW

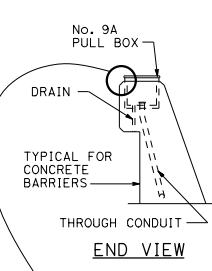


INSTALLATION IN SLOPING PARAPETS

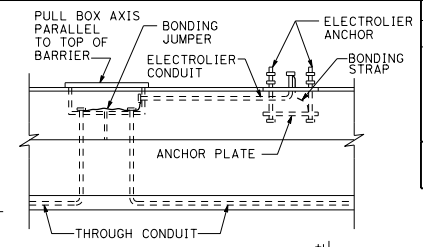
DETAIL D



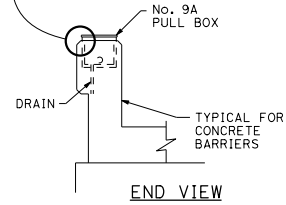
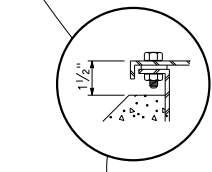
DETAIL E



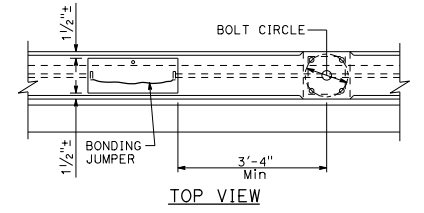
END VIEW



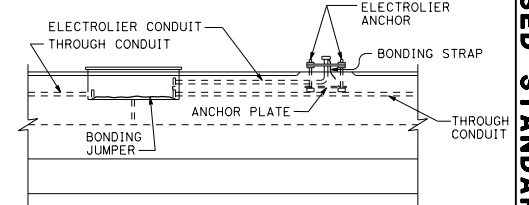
SIDE VIEW



END VIEW



TOP VIEW



SIDE VIEW

No. 9A PULL BOX INSTALLATION

DETAIL C

NOTES:

1. Axis of pull box shall be parallel to top of barrier, sidewalk or railing.
2. See railing sheet for reinforcement and structural details at electroliers and pull boxes.
3. Top of pull boxes in sidewalk areas shall be flush with sidewalk. Modify base of pull box as required.
4. Boxes inside of vertical barrier or railing shall be closed during pouring of PCC with 1/4" plywood of sufficient size to provide 1:1 chamfer on 3 sides of cover. Upper edge of plywood shall fit against lower edge of raintight hood.
5. Use drain in center if box is horizontal, or at low end if box is inclined. When box is mounted in sloping parapet 1/2" elongated drain hole inside at center or near end as required for drainage.
6. For electrolier anchorage bolts and grouting details, see Revised Standard Plan RSP ES-6B.
7. See Standard Plan B14-3 for conduit in concrete barrier.

STATE OF CALIFORNIA
DEPARTMENT OF TRANSPORTATION
**ELECTRICAL SYSTEMS
(STRUCTURE PULL BOX
INSTALLATIONS)**
NO SCALE

RSP ES-9D DATED JULY 21, 2017 SUPERSEDES RSP ES-9D DATED APRIL 15, 2016 AND STANDARD PLAN ES-9D DATED OCTOBER 30, 2015 - PAGE 478 OF THE STANDARD PLANS BOOK DATED 2015.

REVISED STANDARD PLAN RSP ES-9D

DIST	COUNTY	ROUTE	POST MILES TOTAL PROJECT	SHEET NO.	TOTAL SHEETS

REGISTERED ELECTRICAL ENGINEER
Hamid Zolfaghari
No. E15636
Exp. 12-31-17
ELECTRICAL ENGINEER
STATE OF CALIFORNIA

PLANS APPROVAL DATE
July 21, 2017

THE STATE OF CALIFORNIA OR ITS OFFICERS OR AGENTS SHALL NOT BE RESPONSIBLE FOR THE ACCURACY OR COMPLETENESS OF SCANNED COPIES OF THIS PLAN SHEET.

TO ACCOMPANY PLANS DATED _____

2015 REVISED STANDARD PLAN RSP ES-9D