

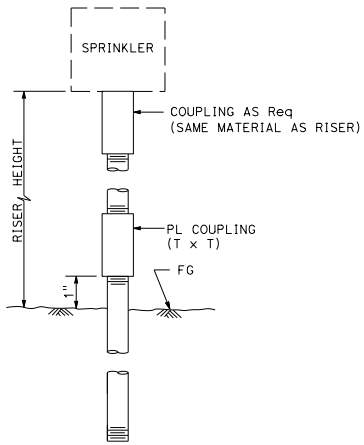
DIST	COUNTY	ROUTE	POST MILES TOTAL PROJECT	SHEET NO.	TOTAL SHEETS

 LICENSED LANDSCAPE ARCHITECT
 July 21, 2017
 PLANS APPROVAL DATE
 THE STATE OF CALIFORNIA OR ITS OFFICERS
 OR AGENTS SHALL NOT BE RESPONSIBLE FOR
 THE ACCURACY OR COMPLETENESS OF SCANNED
 COPIES OF THIS PLAN SHEET.

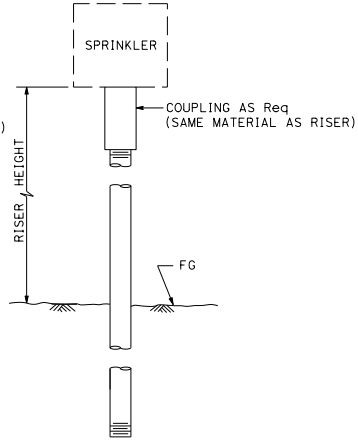
TO ACCOMPANY PLANS DATED _____

NOTES:

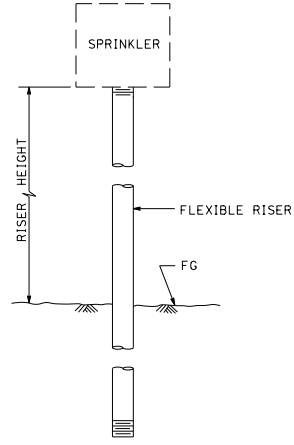
1. Install tree well sprinkler assembly on up-hill side of plant when on slope.
2. Install bubbler within basin.



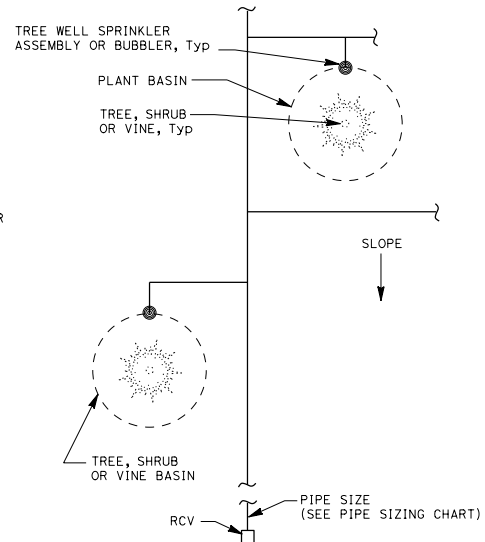
**ELEVATION
RISER TYPE I**



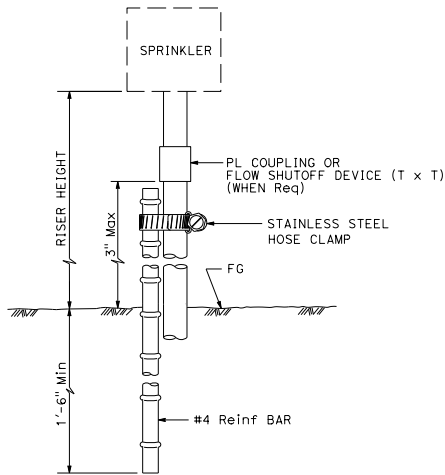
**ELEVATION
RISER TYPE II**



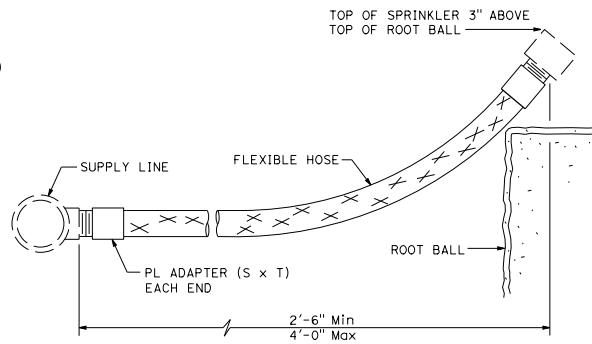
**ELEVATION
RISER TYPE III**



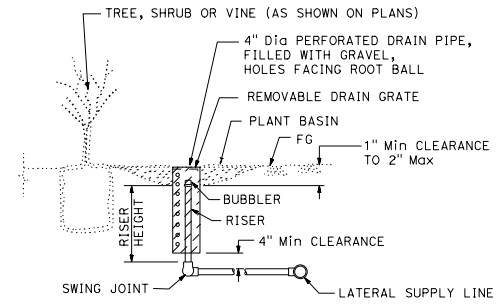
PLAN



**ELEVATION
RISER TYPE IV**



**ELEVATION
RISER TYPE V**



**SECTION
TREE WELL SPRINKLER ASSEMBLY**

STATE OF CALIFORNIA
DEPARTMENT OF TRANSPORTATION
**LANDSCAPE DETAILS
(RISER SPRINKLER ASSEMBLY)**
NO SCALE

RSP H4 DATED JULY 21, 2017 SUPERSEDES RSP H4 DATED JULY 15, 2016 AND STANDARD PLAN H4 DATED OCTOBER 30, 2015 - PAGE 233 OF THE STANDARD PLANS BOOK DATED 2015.

REVISED STANDARD PLAN RSP H4

2015 REVISED STANDARD PLAN RSP H4