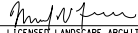

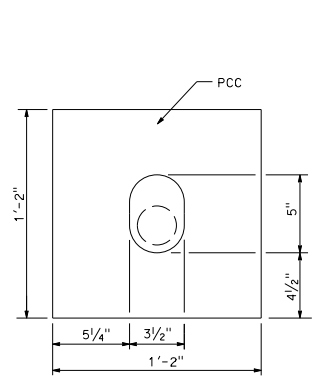


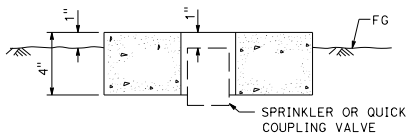
DIST	COUNTY	ROUTE	POST MILES TOTAL PROJECT	SHEET NO.	TOTAL SHEETS


 LICENSED LANDSCAPE ARCHITECT
 July 21, 2017
 PLANS APPROVAL DATE

THE STATE OF CALIFORNIA OR ITS OFFICERS OR AGENTS SHALL NOT BE RESPONSIBLE FOR THE ACCURACY OR COMPLETENESS OF SCANNED COPIES OF THIS PLAN SHEET.

TO ACCOMPANY PLANS DATED _____

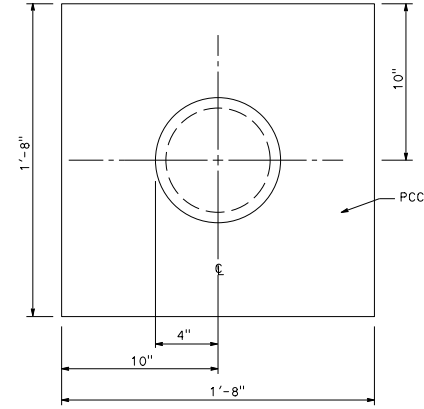


PLAN

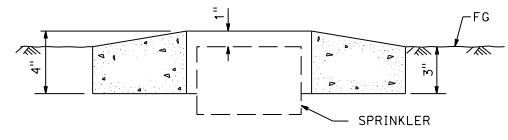


SECTION

SPRINKLER PROTECTOR TYPE I

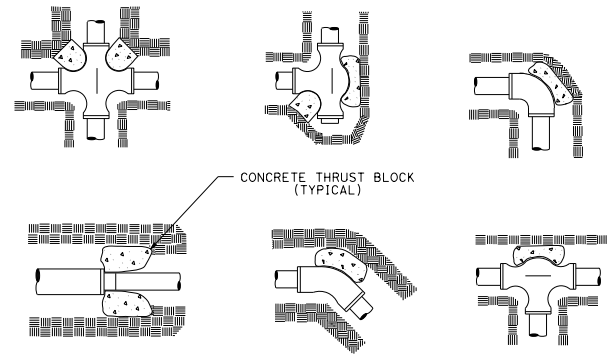


PLAN



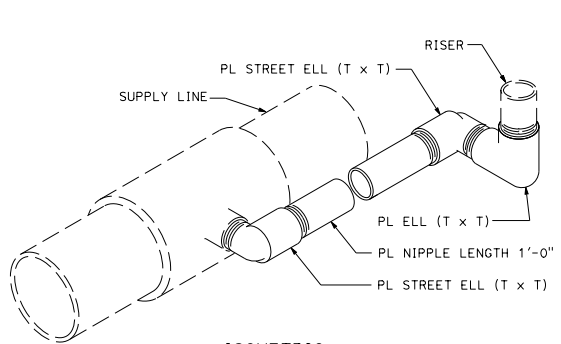
SECTION

SPRINKLER PROTECTOR TYPE II

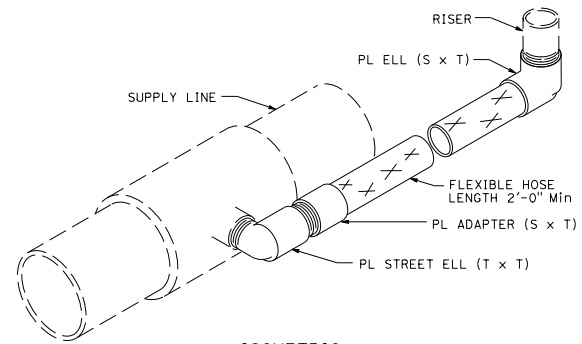


CONCRETE THRUST BLOCK (TYPICAL)

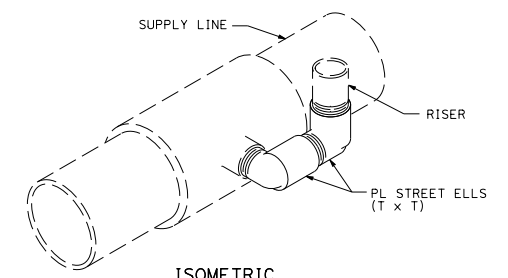
TYPICAL THRUST BLOCKS



ISOMETRIC
SWING JOINT TYPE I



ISOMETRIC
SWING JOINT TYPE II



ISOMETRIC
SWING JOINT TYPE III

STATE OF CALIFORNIA
DEPARTMENT OF TRANSPORTATION
**LANDSCAPE DETAILS
(SWING JOINT AND PROTECTOR)**
NO SCALE

RSP H5 DATED JULY 21, 2017 SUPERSEDES RSP H5 DATED JULY 15, 2016 AND STANDARD PLAN H5 DATED OCTOBER 30, 2015 - PAGE 234 OF THE STANDARD PLANS BOOK DATED 2015.

REVISED STANDARD PLAN RSP H5

2015 REVISED STANDARD PLAN RSP H5