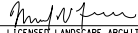


DIST	COUNTY	ROUTE	POST MILES TOTAL PROJECT	SHEET NO.	TOTAL SHEETS

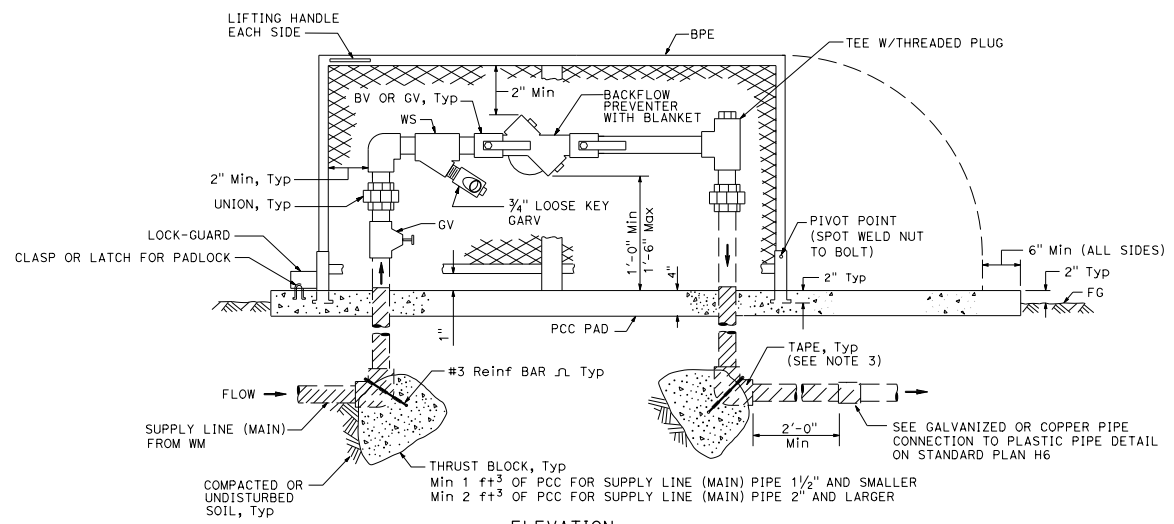

 LICENSED LANDSCAPE ARCHITECT
 July 21, 2017
 PLANS APPROVAL DATE
THE STATE OF CALIFORNIA OR ITS OFFICERS OR AGENTS SHALL NOT BE RESPONSIBLE FOR THE ACCURACY OR COMPLETENESS OF SCANNED COPIES OF THIS PLAN SHEET.



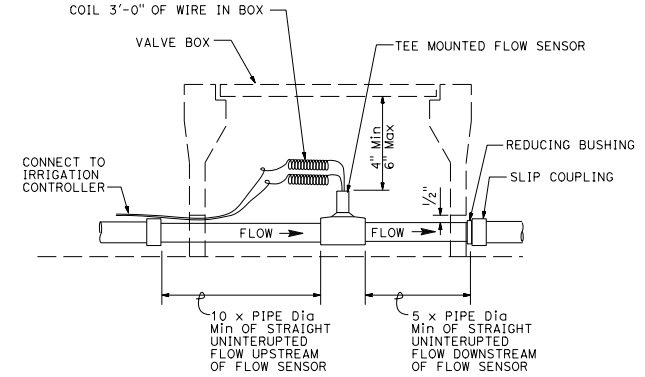
TO ACCOMPANY PLANS DATED _____

NOTES:

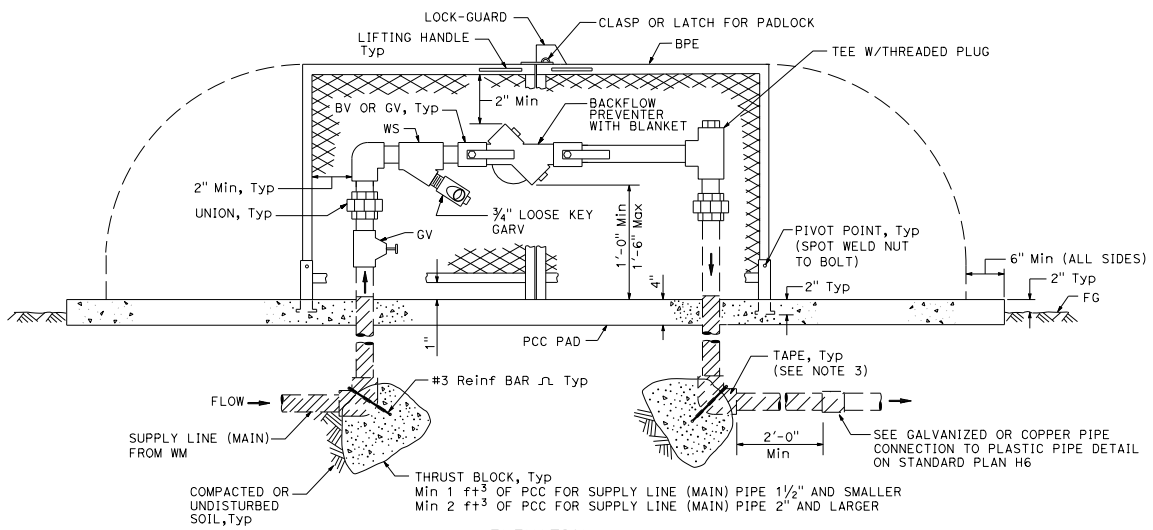
1. Wye strainer and fittings must be the same size as the backflow preventer shown on the plans.
2. Backflow preventer assembly manifold pipe must be the same pipe as the supply line (main) pipe to be installed from the water meter to the backflow preventer assembly.
3. All metal in contact with soil and Portland Cement Concrete must be wrapped with 2" wide plastic backed adhesive polyethylene tape 20 mil thick with 1/2" overlap.



ELEVATION
BACKFLOW PREVENTER ASSEMBLY
IN ONE PIECE ENCLOSURE



SECTION
FLOW SENSOR



ELEVATION
BACKFLOW PREVENTER ASSEMBLY
IN TWO PIECE ENCLOSURE

STATE OF CALIFORNIA
DEPARTMENT OF TRANSPORTATION
LANDSCAPE DETAILS
NO SCALE

RSP H7 DATED JULY 21, 2017 SUPERSEDES STANDARD PLAN H7
DATED OCTOBER 30, 2015 - PAGE 236 OF THE STANDARD PLANS BOOK DATED 2015.

REVISED STANDARD PLAN RSP H7

2015 REVISED STANDARD PLAN RSP H7