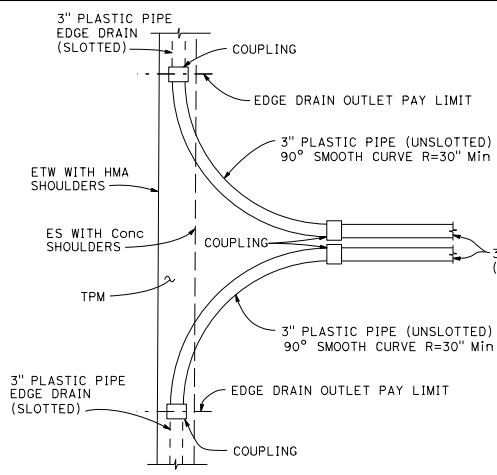


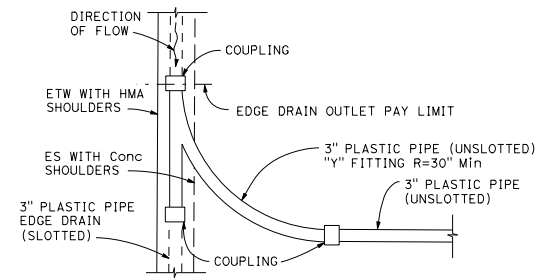
DIST	COUNTY	ROUTE	POST MILES TOTAL PROJECT	SHEET NO.	TOTAL SHEETS

**REGISTERED CIVIL ENGINEER**  
*Deepak R. Maskey*  
 No. C70117  
 Exp. 9-30-18  
 CIVIL  
 STATE OF CALIFORNIA

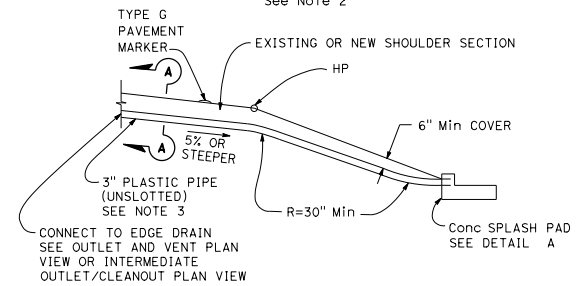
July 21, 2017  
 PLANS APPROVAL DATE  
 THE STATE OF CALIFORNIA OR ITS OFFICERS OR AGENTS SHALL NOT BE RESPONSIBLE FOR THE ACCURACY OR COMPLETENESS OF SCANNED COPIES OF THIS PLAN SHEET.



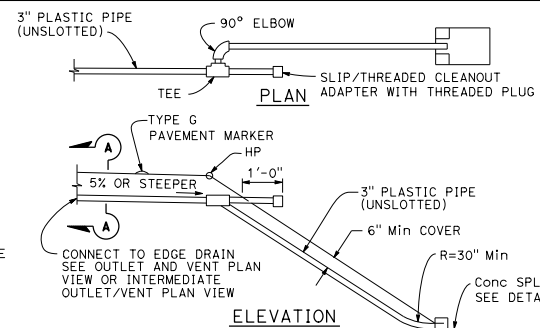
**PLAN**  
**DUAL OUTLET AND/OR VENT**  
See Note 2



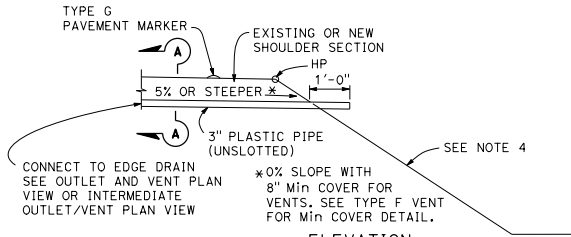
**PLAN**  
**INTERMEDIATE OUTLET**  
See Note 2



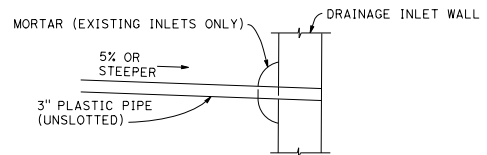
**ELEVATION**  
**TYPE A OUTLET**



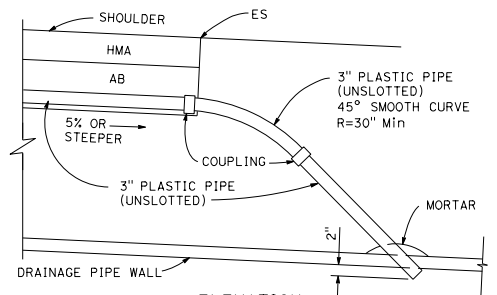
**ELEVATION**  
**TYPE B OUTLET**



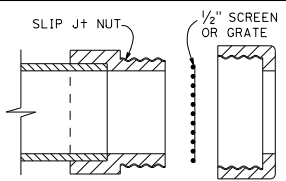
**ELEVATION**  
**TYPE C OUTLET AND/OR VENT**



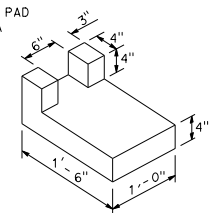
**ELEVATION**  
**TYPE D OUTLET CONNECTION TO DRAINAGE INLET**



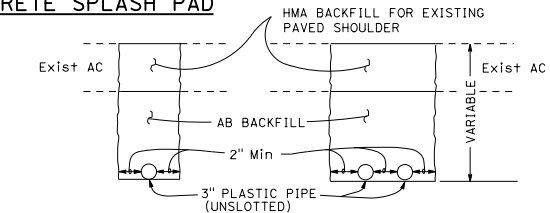
**ELEVATION**  
**TYPE E OUTLET CONNECTION TO DRAINAGE PIPE**



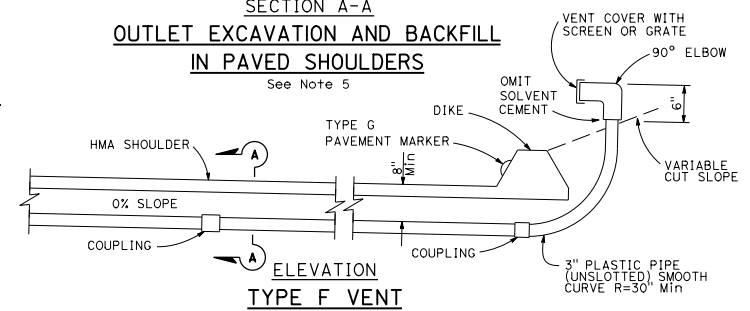
**EDGE DRAIN OUTLET AND VENT COVER**



**DETAIL A**  
**CONCRETE SPLASH PAD**



**SECTION A-A**  
**OUTLET EXCAVATION AND BACKFILL IN PAVED SHOULDERS**  
See Note 5



**ELEVATION**  
**TYPE F VENT**

STATE OF CALIFORNIA  
DEPARTMENT OF TRANSPORTATION  
**EDGE DRAIN OUTLET AND VENT DETAILS**  
NO SCALE

RSP P51 DATED JULY 21, 2017 SUPERSEDES STANDARD PLAN P51  
DATED OCTOBER 30, 2015 - PAGE 161 OF THE STANDARD PLANS BOOK DATED 2015.

**REVISED STANDARD PLAN RSP P51**

2015 REVISED STANDARD PLAN RSP P51