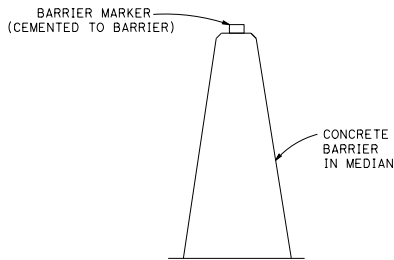
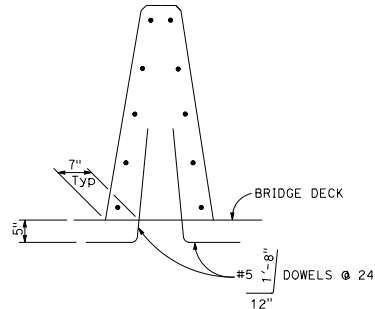


Dist	County	ROUTE	POST MILES TOTAL PROJECT	SHEET No.	TOTAL SHEETS
Randell D. Hiatt REGISTERED CIVIL ENGINEER No. C60200 Exp. 6-30-19 CIVIL STATE OF CALIFORNIA					
APPROVAL DATE: April 20, 2018					
PLANS APPROVAL DATE: _____					
THE STATE OF CALIFORNIA OR ITS OFFICERS OR AGENTS SHALL NOT BE RESPONSIBLE FOR THE ACCURACY OR COMPLETENESS OF SCANNED COPIES OF THIS PLAN SHEET.					

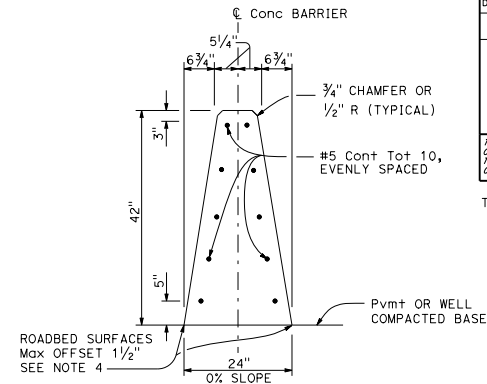
TO ACCOMPANY PLANS DATED _____



CONCRETE BARRIER TYPE 60M DELINEATION
See Note 5



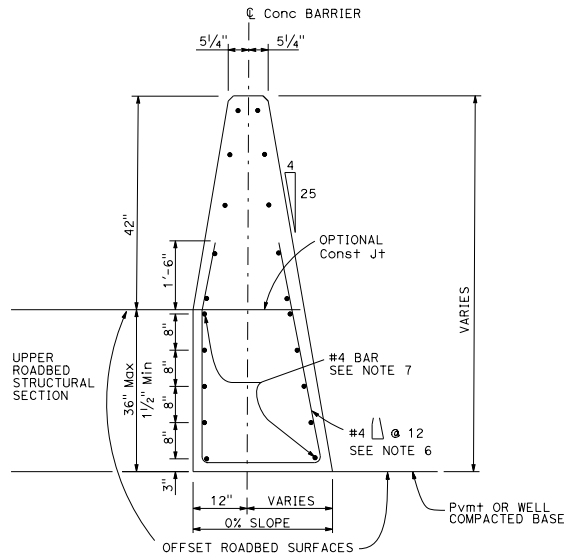
CONCRETE BARRIER TYPE 60MA
Details similar to Type 60M except as noted.



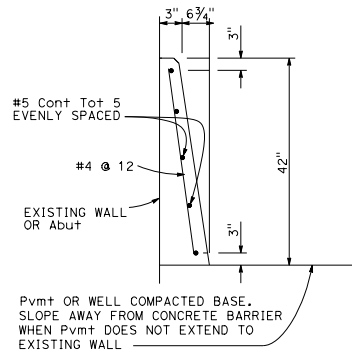
CONCRETE BARRIER TYPE 60M

NOTES:

- See Revised Standard Plan RSP A76B for details of Concrete Barrier Type 60M end anchors, connection to structures and transitions to Concrete Barrier Type 50 and Concrete Barrier Type 60MS.
- See Revised Standard Plan RSP A76C for Concrete Barrier Type 60M transitions at bridge column and sign pedestals.
- Where glare screen is required on Concrete Barrier Type 60M, use Concrete Barrier Type 60MG.
- Where roadbed offset is greater than 1 1/2", see Concrete Barrier Type 60MC.
- See Project Plans for barrier delineation locations.
- Reinforcing stirrup not required for roadbed offsets less than 1'-0".
- For roadbed surfaces offset greater than 1 1/2" and less than or equal to 3", no reinforcement required. For roadbed surfaces offset greater than 3" and less than or equal to 8", use two #4 Reinf at 3" above the lower roadbed surface. For roadbed surfaces offset greater than 8" and less than or equal to 12", use two #4 Reinf at 3" above the lower roadbed surface and two #4 Reinf at 8" above the lower roadbed surface. For roadbed surfaces offset greater than 12" and less than or equal to 36", use two #4 Reinf at 3" above the lower roadbed surface and two #4 Reinf at every 8" increment vertical spacing above the first two #4 Reinf.



CONCRETE BARRIER TYPE 60MC
Details similar to Type 60M except as noted. Use concrete barrier end anchor when necessary. 36" roadbed surfaces offset shown.



CONCRETE BARRIER TYPE 60MD

STATE OF CALIFORNIA
DEPARTMENT OF TRANSPORTATION
CONCRETE BARRIER TYPE 60M

NO SCALE

RSP A76A DATED APRIL 20, 2018 SUPERSEDES STANDARD PLAN A76A DATED OCTOBER 30, 2015 - PAGE 37 OF THE STANDARD PLANS BOOK DATED 2015.

REVISED STANDARD PLAN RSP A76A

2015 REVISED STANDARD PLAN RSP A76A