

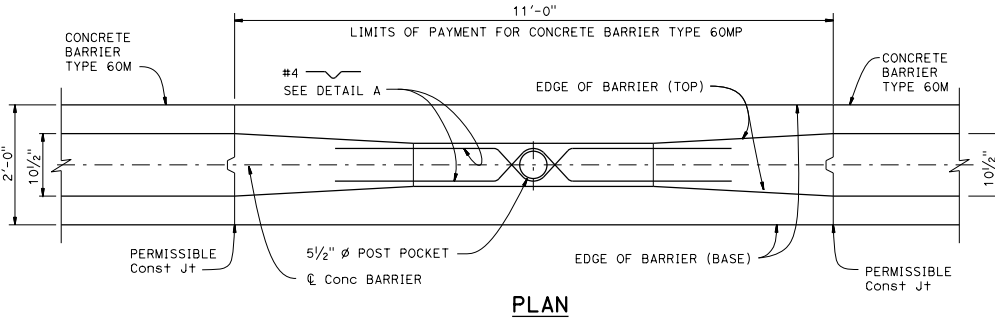
DIST	COUNTY	ROUTE	POST MILES TOTAL PROJECT	SHEET NO.	TOTAL SHEETS

Stanley P. Johnson
 REGISTERED CIVIL ENGINEER
 No. CS7793
 Exp. 3-31-18
 CIVIL
 STATE OF CALIFORNIA

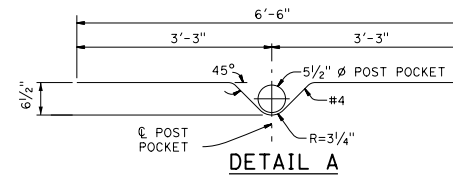
April 20, 2018
 PLANS APPROVAL DATE
 THE STATE OF CALIFORNIA OR ITS OFFICERS OR AGENTS SHALL NOT BE RESPONSIBLE FOR THE ACCURACY OR COMPLETENESS OF SCANNED COPIES OF THIS PLAN SHEET.

TO ACCOMPANY PLANS DATED _____

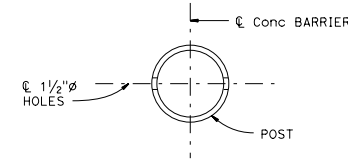
2015 REVISED STANDARD PLAN RSP A76BA



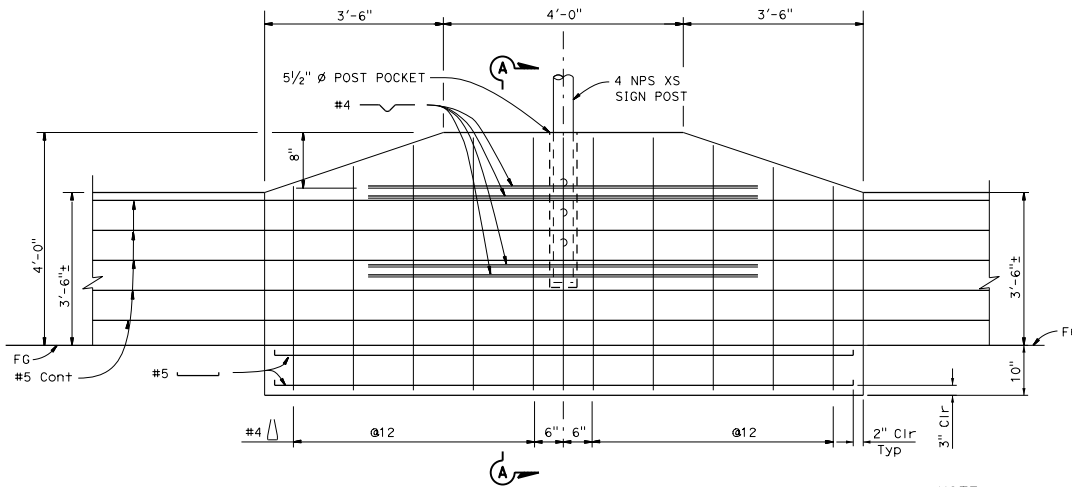
PLAN



DETAIL A



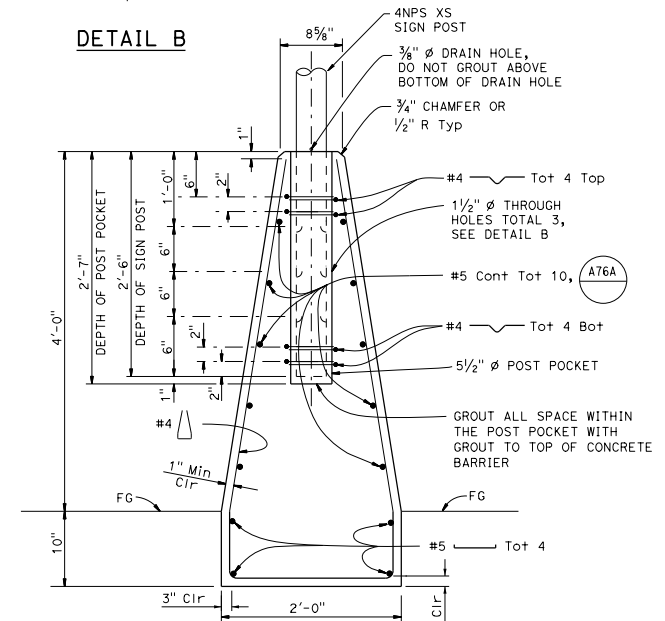
DETAIL B



ELEVATION

NOTE:

For Type 60M Barrier cross section see Revised Standard Plan RSP A76A



SECTION A-A

STATE OF CALIFORNIA
DEPARTMENT OF TRANSPORTATION
CONCRETE BARRIER TYPE 60MP

NO SCALE

RSP A76BA DATED APRIL 20, 2018 SUPERSEDES RSP A76A DATED JULY 15, 2016 THAT SUPPLEMENTS THE STANDARD PLANS BOOK DATED 2015.

REVISED STANDARD PLAN RSP A76BA