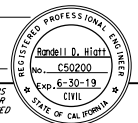
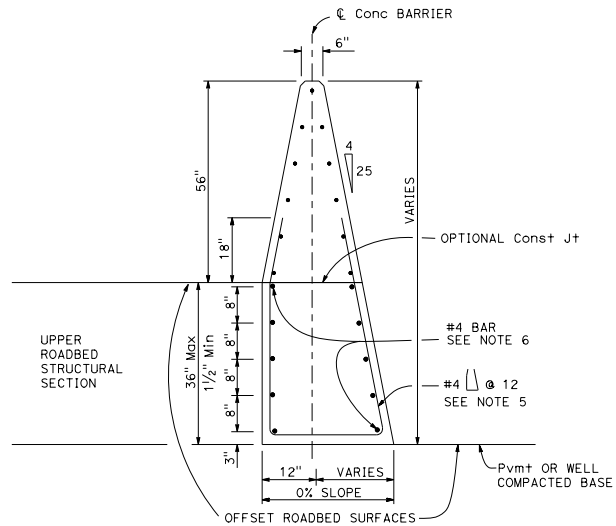


Dist	COUNTY	ROUTE	POST MILES TOTAL PROJECT	SHEET NO.	TOTAL SHEETS
<i>Randell D. Hiatt</i> REGISTERED CIVIL ENGINEER					
April 20, 2018 PLANS APPROVAL DATE					
THE STATE OF CALIFORNIA OR ITS OFFICERS OR AGENTS SHALL NOT BE RESPONSIBLE FOR THE ACCURACY OR COMPLETENESS OF SCANNED COPIES OF THIS PLAN SHEET.					

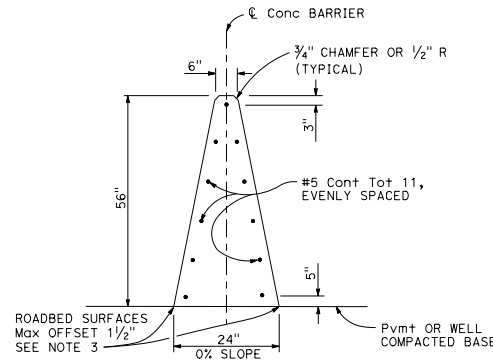


TO ACCOMPANY PLANS DATED _____



CONCRETE BARRIER TYPE 60MGC

Details similar to Type 60MG except as noted.
36" roadbed surfaces offset shown.

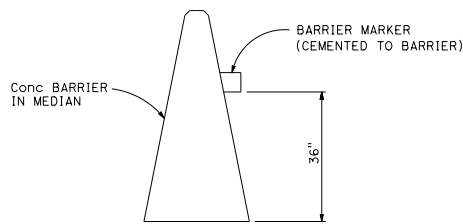


CONCRETE BARRIER TYPE 60MG

(Monolithic concrete glare screen/barrier)

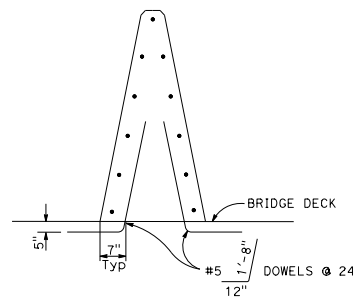
NOTES:

1. See Revised Standard Plan RSP A76E for details of Concrete Barrier Type 60MG end anchors, connection to structures and transitions to Concrete Barrier Type 60M.
2. See Revised Standard Plan RSP A76F for Concrete Barrier Type 60MG transitions at bridge column and sign pedestals.
3. Where roadbed offset is greater than 1/2", see Concrete Barrier Type 60MGC.
4. Barrier delineation to be used when required by the Special Provisions.
5. Reinforcing stirrup not required for offsets less than 1'-0".
6. For roadbed surfaces offset greater than 1/2" and less than or equal to 3", no reinforcement required. For roadbed surfaces offset greater than 3" and less than or equal to 8", use two #4 Reinf at 3" above the lower roadbed surface. For roadbed surfaces offset greater than 8" and less than or equal to 12", use two #4 Reinf at 3" above the lower roadbed surface and two #4 Reinf at 8" above the lower roadbed surface. For roadbed surfaces offset greater than 12" and less than or equal to 36", use two #4 Reinf at 3" above the lower roadbed surface and two #4 Reinf at every 8" increment vertical spacing above the first two #4 Reinf.



CONCRETE BARRIER TYPE 60MG DELINEATION

See Note 4



CONCRETE BARRIER TYPE 60MG

Details similar to Type 60MG except as noted.

STATE OF CALIFORNIA
DEPARTMENT OF TRANSPORTATION

CONCRETE BARRIER TYPE 60MG

NO SCALE

RSP A76D DATED APRIL 20, 2018 SUPERSEDES STANDARD PLAN A76D
DATED OCTOBER 30, 2015 - PAGE 40 OF THE STANDARD PLANS BOOK DATED 2015.

REVISED STANDARD PLAN RSP A76D

2015 REVISED STANDARD PLAN RSP A76D