

Dist	County	ROUTE	POST MILES TOTAL PROJECT	SHEET NO.	TOTAL SHEETS

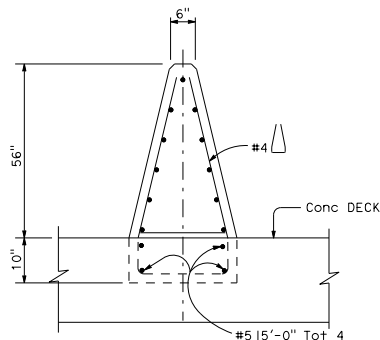
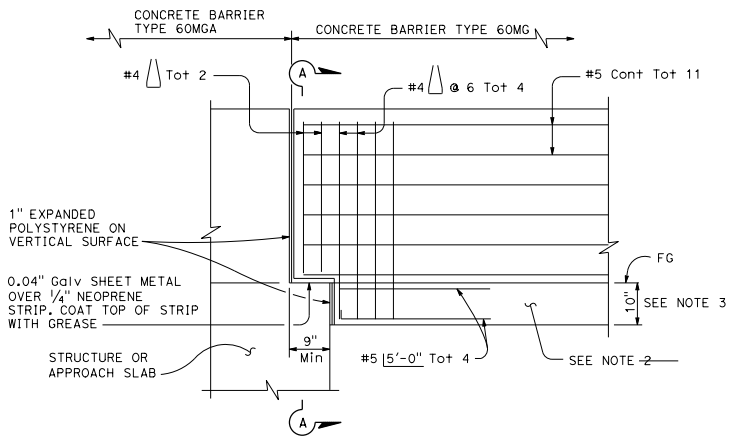
Randell D. Hiatt
REGISTERED CIVIL ENGINEER

April 20, 2018
PLANS APPROVAL DATE

REGISTERED PROFESSIONAL ENGINEER
Randell D. Hiatt
No. C60200
Exp. 6-30-19
CIVIL
STATE OF CALIFORNIA

THE STATE OF CALIFORNIA OR ITS OFFICERS OR AGENTS SHALL NOT BE RESPONSIBLE FOR THE ACCURACY OR COMPLETENESS OF SCANNED COPIES OF THIS PLAN SHEET.

TO ACCOMPANY PLANS DATED _____

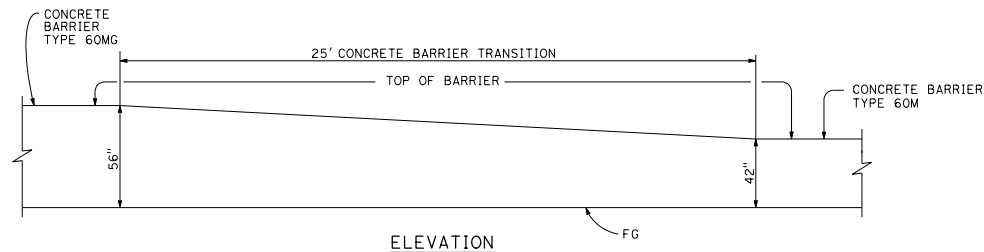


SECTION A-A

NOTES:

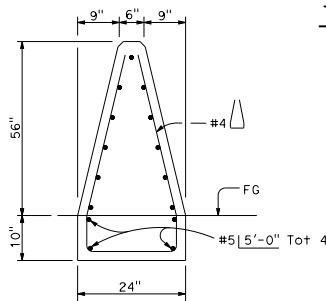
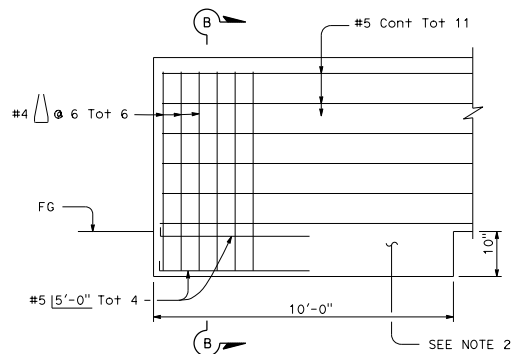
1. See Revised Standard Plan RSP A76D for Concrete Barrier Type 60MG and Type 60MGA.
2. Footing monolithic or doweled with 2-#8 x 8" @ 2'-0". The footing is required at concrete barrier ends and at interruptions in concrete barrier.
3. 10" concrete barrier footing extends 10' back from structure.
4. See Revised Standard Plan RSP A781 for transition to Thrie Beam Barrier.

CONCRETE BARRIER TYPE 60MG CONNECTION TO STRUCTURE



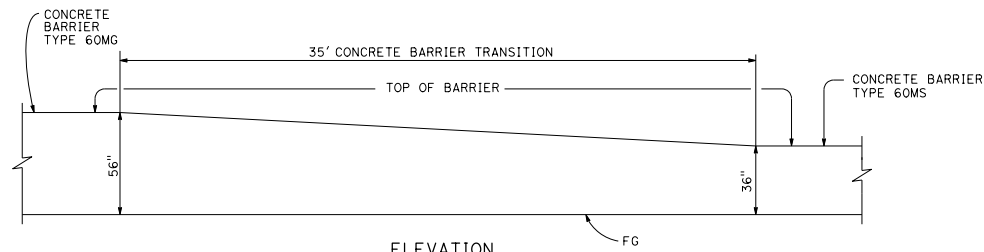
ELEVATION

TRANSITION CONCRETE BARRIER TYPE 60MG TO CONCRETE BARRIER TYPE 60M



SECTION B-B

CONCRETE BARRIER TYPE 60MG END ANCHORAGE



ELEVATION

TRANSITION CONCRETE BARRIER TYPE 60MG TO CONCRETE BARRIER TYPE 60MS

STATE OF CALIFORNIA
DEPARTMENT OF TRANSPORTATION
CONCRETE BARRIER TYPE 60MG

NO SCALE

RSP A76E DATED APRIL 20, 2018 SUPERSEDES STANDARD PLAN A76E
DATED OCTOBER 30, 2015 - PAGE 41 OF THE STANDARD PLANS BOOK DATED 2015.

REVISED STANDARD PLAN RSP A76E

2015 REVISED STANDARD PLAN RSP A76E