

Dist	COUNTY	ROUTE	POST MILES TOTAL PROJECT	SHEET NO.	TOTAL SHEETS

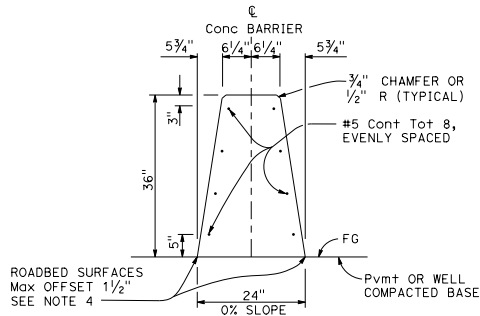
Randell D. Hiatt
REGISTERED CIVIL ENGINEER

April 20, 2018
PLANS APPROVAL DATE

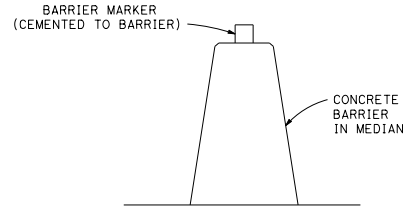
No. C50200
Exp. 6-30-19
CIVIL

REGISTERED PROFESSIONAL ENGINEER
STATE OF CALIFORNIA

THE STATE OF CALIFORNIA OR ITS OFFICERS OR AGENTS SHALL NOT BE RESPONSIBLE FOR THE ACCURACY OR COMPLETENESS OF SCANNED COPIES OF THIS PLAN SHEET.

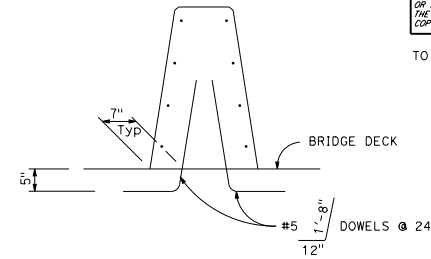


CONCRETE BARRIER TYPE 60MS



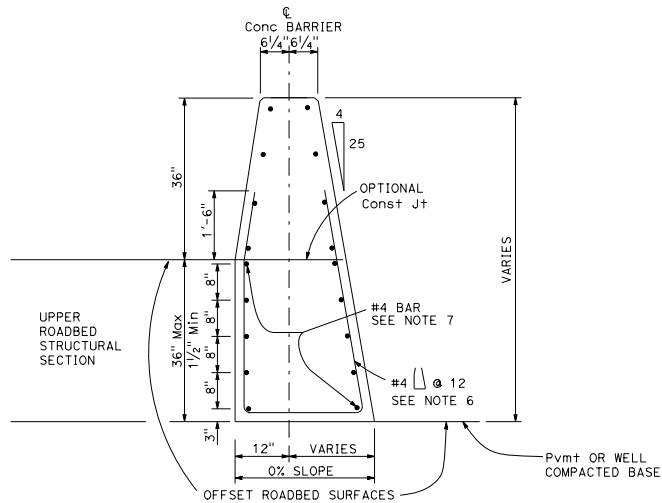
CONCRETE BARRIER TYPE 60MS DELINEATION

See Note 5



CONCRETE BARRIER TYPE 60MSA

Details similar to Type 60MS except as noted.



CONCRETE BARRIER TYPE 60MSC

Details similar to Type 60MS except as noted.
Use concrete barrier end anchor when necessary.
36" roadbed surfaces offset shown.

NOTES:

- See Revised Standard Plan RSP A76H for details of Concrete Barrier Type 60MS end anchors, connection to structures and transitions to Concrete Barrier Type 50.
- See Revised Standard Plan RSP A76I for Concrete Barrier Type 60MS transitions at bridge column and sign pedestals.
- Where glare screen is required on top of concrete barrier, use Concrete Barrier Type 60MG.
- Where roadbed offset is greater than 1 1/2" see Concrete Barrier Type 60MSG.
- Barrier delineation to be used when required by the Special Provisions.
- Reinforcing stirrup not required for roadbed offsets less than 1'-0".
- For roadbed surfaces offset greater than 1 1/2" and less than or equal to 3", no reinforcement required. For roadbed surfaces offset greater than 3" and less than or equal to 8", use two #4 Reinf at 3" above the lower roadbed surface. For roadbed surfaces offset greater than 8" and less than or equal to 12", use two #4 Reinf at 3" above the lower roadbed surface and two #4 Reinf at 8" above the lower roadbed surface. For roadbed surfaces offset greater than 12" and less than or equal to 36", use two #4 Reinf at 3" above the lower roadbed surface and two #4 Reinf at every 8" increment vertical spacing above the first two #4 Reinf.

STATE OF CALIFORNIA
DEPARTMENT OF TRANSPORTATION

CONCRETE BARRIER TYPE 60MS

NO SCALE

RSP A76G DATED APRIL 20, 2018 SUPERSEDES STANDARD PLAN A76G
DATED OCTOBER 30, 2015 - PAGE 43 OF THE STANDARD PLANS BOOK DATED 2015.

REVISED STANDARD PLAN RSP A76G