

**NOTES:**

1. See Revised Standard Plan RSP A76G for Concrete Barrier Type 60MS and Type 60MSA.
2. Footing monolithic or doweled with 2-#8 x 8" @ 2'-0". The footing is
3. 10" concrete barrier footing extends 10' back from structure.
4. See Revised Standard Plan RSP A78I for transition to Thrie Beam Barrier.

Dist	COUNTY	ROUTE	POST MILES TOTAL PROJECT	SHEET NO.	TOTAL SHEETS

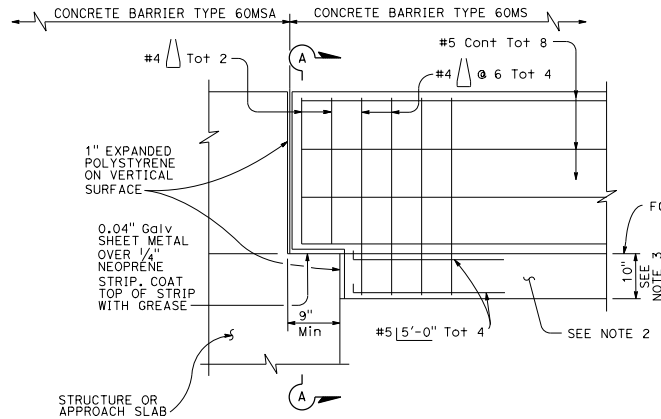
*Randell D. Hiatt*  
REGISTERED CIVIL ENGINEER

April 20, 2018  
PLANS APPROVAL DATE

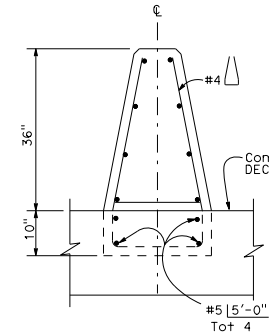
No. C60200  
Exp. 6-30-19  
CIVIL  
STATE OF CALIFORNIA

THE STATE OF CALIFORNIA OR ITS OFFICERS OR AGENTS SHALL NOT BE RESPONSIBLE FOR THE ACCURACY OR COMPLETENESS OF SCANNED COPIES OF THIS PLAN SHEET.

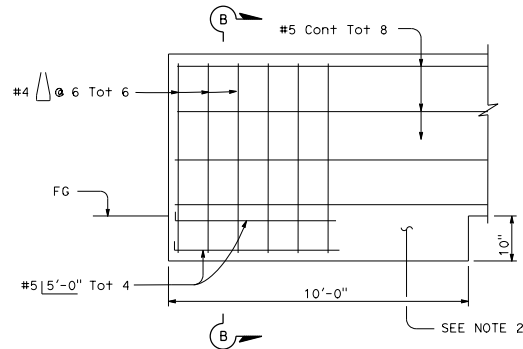
TO ACCOMPANY PLANS DATED \_\_\_\_\_



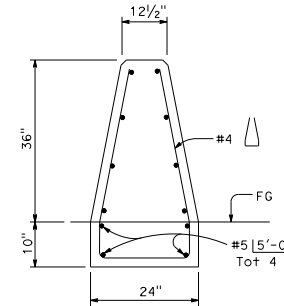
**CONCRETE BARRIER TYPE 60MS  
CONNECTION TO STRUCTURE**



**SECTION A-A**



**CONCRETE BARRIER TYPE 60MS  
END ANCHORAGE**



**SECTION B-B**

STATE OF CALIFORNIA  
DEPARTMENT OF TRANSPORTATION

**CONCRETE BARRIER TYPE 60MS**

NO SCALE

RSP A76H DATED APRIL 20, 2018 SUPERSEDES STANDARD PLAN A76H  
DATED OCTOBER 30, 2015 - PAGE 44 OF THE STANDARD PLANS BOOK DATED 2015.

**REVISED STANDARD PLAN RSP A76H**