

Dist.	COUNTY	ROUTE	POST MILES TOTAL PROJECT	SHEET No.	TOTAL SHEETS

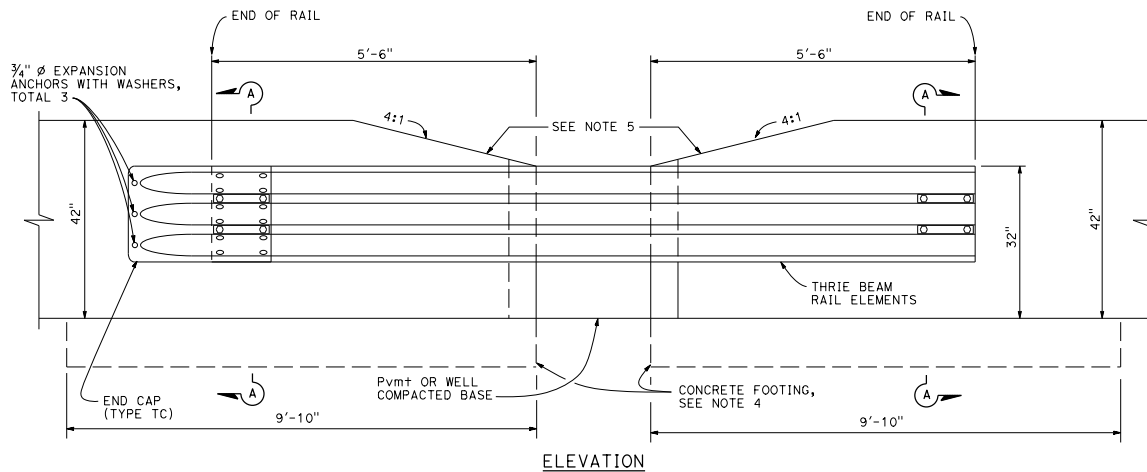
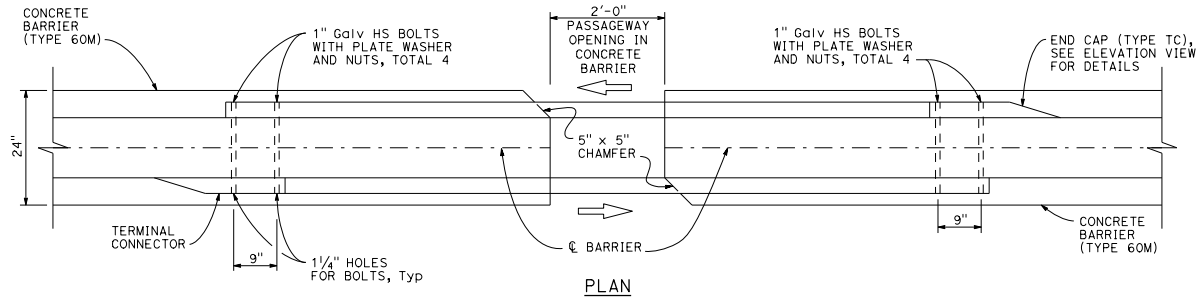
**Randell D. Hiatt**  
REGISTERED CIVIL ENGINEER

PLANS APPROVAL DATE  
April 20, 2018

REGISTERED PROFESSIONAL ENGINEER  
No. C60200  
Exp. 6-30-19  
CIVIL  
STATE OF CALIFORNIA

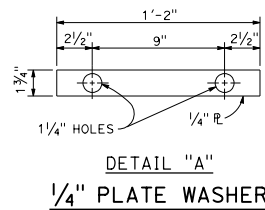
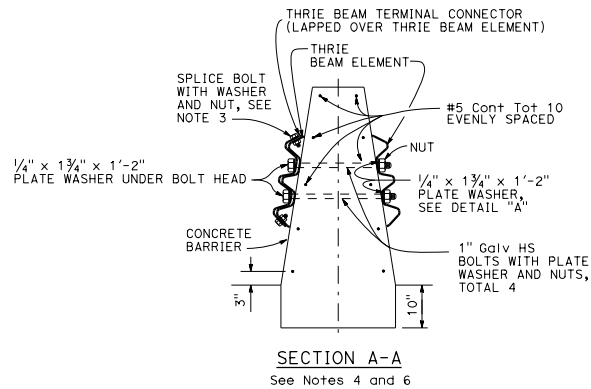
THE STATE OF CALIFORNIA OR ITS OFFICERS OR AGENTS SHALL NOT BE RESPONSIBLE FOR THE ACCURACY OR COMPLETENESS OF SCANNED COPIES OF THIS PLAN SHEET.

TO ACCOMPANY PLANS DATED \_\_\_\_\_



**NOTES:**

1. Type MM Passageway typically used for crossing of medium size animals.
2. For details of the thrie beam element and hardware, see the A78 series of the Standard Plans. For details of Concrete Barrier Type 60, see the A76 series of the Standard Plans.
3. The end cap, and the thrie beam element, may be spliced together prior to bolting the elements to the concrete barrier. All 8 splice bolts to connect the end cap to the rail element are not required. The 2 top and the 2 bottom splice bolts with washers and nuts shall be used.
4. Barrier end anchorage shall be constructed as shown in Section A-A of this plan or as shown on Standard Plan A76B.
5. Taper the top of the end of the concrete barrier at 4:1 to match the top elevation of the thrie beam rail element.
6. For details not shown, see Revised Standard Plan RSP A76A.



STATE OF CALIFORNIA  
DEPARTMENT OF TRANSPORTATION

**CONCRETE BARRIER  
WILDLIFE PASSAGEWAY  
(TYPE MM)**

NO SCALE

RSP A76K DATED APRIL 20, 2018 SUPERSEDES STANDARD PLAN A76K  
DATED OCTOBER 30, 2015 - PAGE 47 OF THE STANDARD PLANS BOOK DATED 2015.

**REVISED STANDARD PLAN RSP A76K**

2015 REVISED STANDARD PLAN RSP A76K