

NOTES:

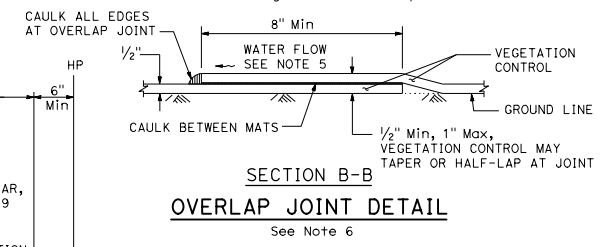
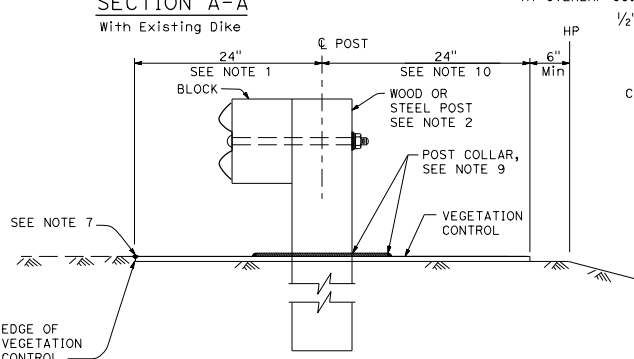
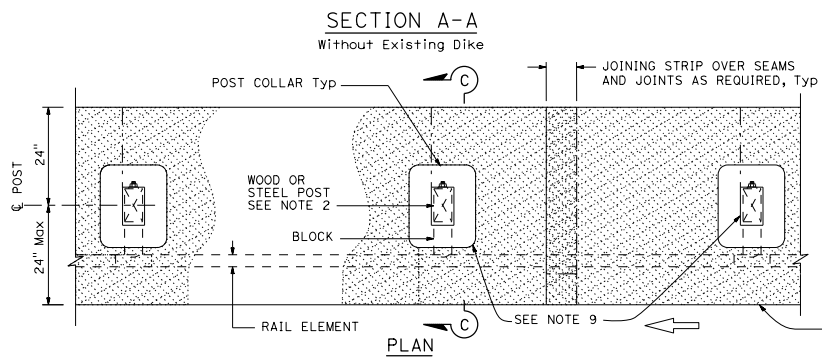
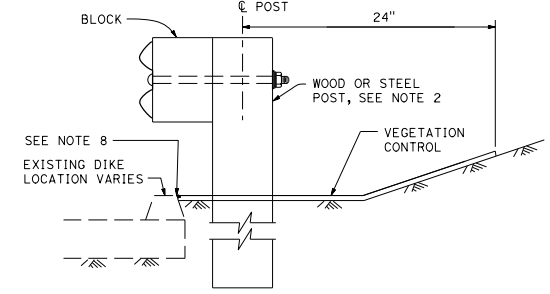
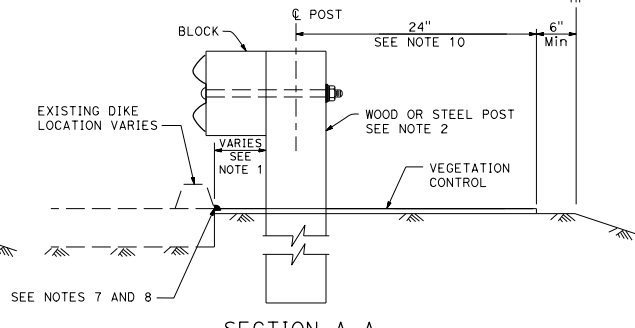
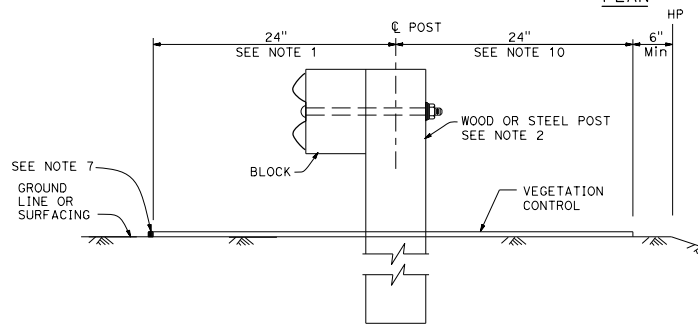
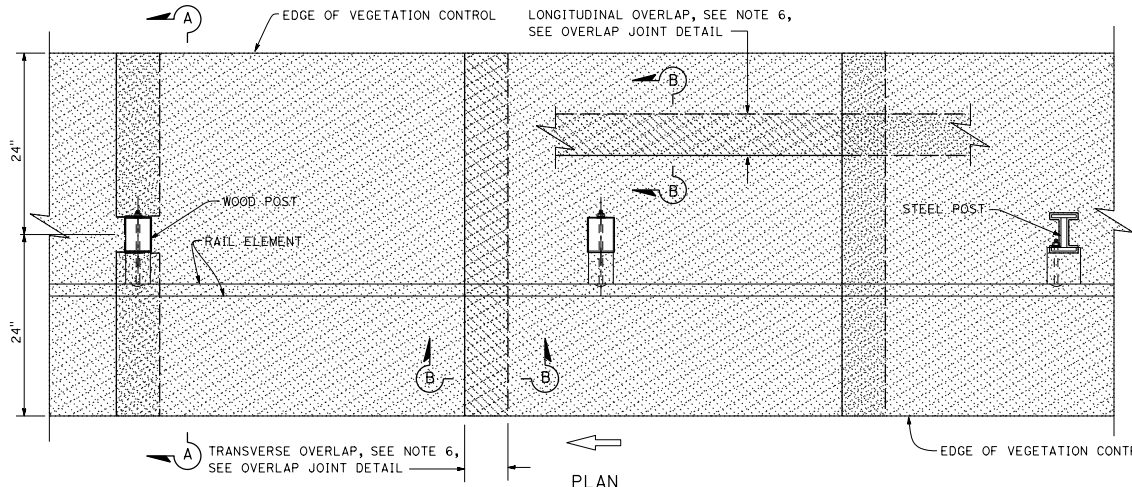
1. Where dike is constructed under barrier, construct vegetation control to back edge of dike. Where paved shoulder is constructed within 24' of the post center, construct vegetation control to the edge of paved shoulder.
2. For wood and steel post sizes, see Revised Standard Plans RSP A77N1 and RSP A77N2.
3. For details not shown, see Revised Standard Plans RSP A77L1 and RSP A77L2.
4. This plan for vegetation control installation only.
5. Vegetation control must slope in direction of water flow.
6. Place transverse and longitudinal overlap joint within the limits of vegetation control where applicable. No longitudinal overlap allowed in front of rail element on traffic side.
7. Caulk longitudinal and transverse edges of vegetation control mat where it abuts to paved surface or man-made fixed objects, except guardrail posts.
8. Where vegetation control is adjacent to a dike on a cut slope, construct vegetation control flush with the top edge of dike, and caulk.
9. For fiber mat, install post collar at all posts and caulk all edges.
10. Where the distance between center of post and hinge point is less than 30', construct vegetation control to 6" from the hinge point.

DIST	COUNTY	ROUTE	POST MILES TOTAL PROJECT	SHEET TOTAL SHEETS

Chi H. Wong
 REGISTERED CIVIL ENGINEER
 No. C054738
 Exp. 12-31-19
 CIVIL
 STATE OF CALIFORNIA

PLANS APPROVAL DATE: April 20, 2018
 THE STATE OF CALIFORNIA OR ITS OFFICERS OR AGENTS SHALL NOT BE RESPONSIBLE FOR THE ACCURACY OR COMPLETENESS OF SCANNED COPIES OF THIS PLAN SHEET.

TO ACCOMPANY PLANS DATED _____



STATE OF CALIFORNIA
 DEPARTMENT OF TRANSPORTATION
**FIBER OR RUBBER MAT
 VEGETATION CONTROL
 GUARDRAIL SYSTEM**
 NO SCALE

2015 REVISED STANDARD PLAN RSP A77N12